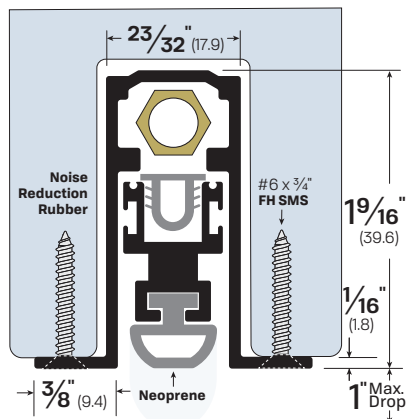


#7053 




Mortised

FINISHES: CA

AVAILABLE SIZES: Can be manufactured to any length from 12" to 144"

OPTIONS:

- | | | |
|---------------------------------|------------------------------------------------------------------------------------------------------------|-----------------------------------|
| AIR - Air Flow |  LS - Light Spring | SF - Security Fasteners |
| EA - Electrical Actuator | PULL - Pull Out | SL - Sliding Doors |
| LL - Lead Lined | PV - Pivot Doors | TD - Top Door Installation |

NOTES:

- Adjusting the brass nut changes pressure on concealed internal spring to satisfy field conditions.
- Self-leveling door seal up to maximum 1" drop.
- Replacement neoprene - Part #4053N or optional Part #4441N
- Unit supplied with 1 pair of end caps - Part #4063EC-CA or #4063EC-MB

LEGACY	NGP	PEMKO	ZERO
7053	225N	434APKL	350AA

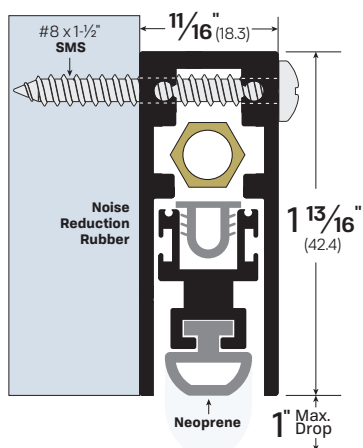


#7053CA



Optional Silicone insert Part #4441S-BK

#7153 




Surface-Mounted

FINISHES: CA, BK, WP

AVAILABLE SIZES: Can be manufactured to any length from 12" to 144"

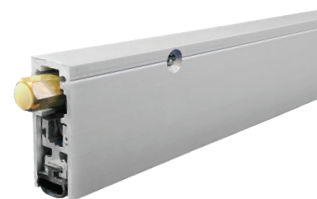
OPTIONS:

- | | | |
|---------------------------------|--------------------------------------------------------------------------------------------------------------|--------------------------------|
| AIR - Air Flow | LL - Lead Lined | PV - Pivot Doors |
| EA - Electrical Actuator |  LS - Light Spring | SF - Security Fasteners |
| FL - Fire Label | PULL - Pull Out | SL - Sliding Doors |

NOTES:

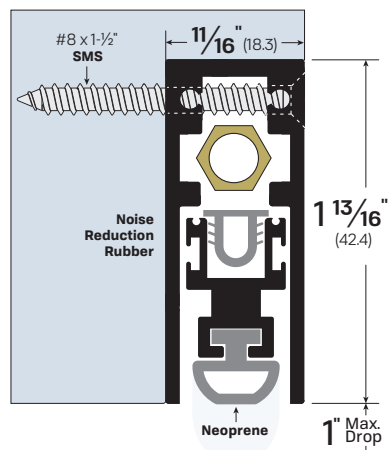
- Adjusting the brass nut changes pressure on concealed internal spring to satisfy field conditions.
- Self-leveling door seal up to maximum 1" drop.
- Replacement neoprene - Part #4053N or optional Part #4441N
- Unit supplied with 1 pair of end caps - Part #4153EC-CA or #4153EC-MB

LEGACY	NGP	PEMKO	ZERO
7153	222N	413IASL	351AA



#7153CA

#7253 




Semi-Mortised

FINISHES: CA, BK, WP

AVAILABLE SIZES: Can be manufactured to any length from 12" to 144"

OPTIONS:

- | | | |
|--------------------------------------------------------------------------------------------------------------|--------------------------------|-----------------------------------|
| AIR - Air Flow | SF - Security Fasteners | EA - Electrical Actuator |
| FL - Fire Label | PULL - Pull Out | SL - Sliding Doors |
| LL - Lead Lined | PV - Pivot Doors | TD - Top Door Installation |
|  LS - Light Spring | | |

NOTES:

- Adjusting the brass nut changes pressure on concealed internal spring to satisfy field conditions.
- Self-leveling door seal up to maximum 1" drop.
- Replacement neoprene - Part #4053N or optional Part #4441N
- Unit supplied with 1 pair of end caps - Part #4153EC-CA or #4153EC-MB

LEGACY	NGP	PEMKO	ZERO
7253	222N	413IASL	352AA



#7253CA