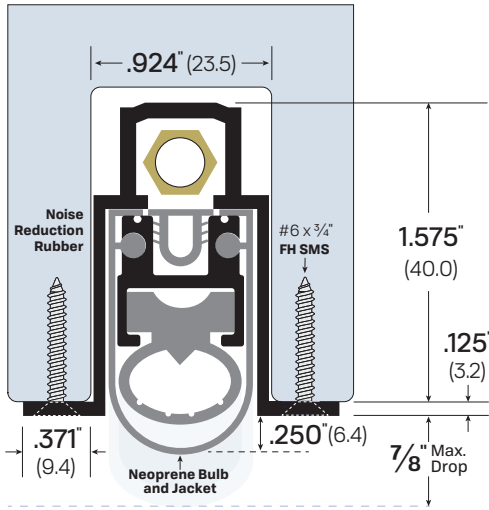


Automatic Door Bottoms

**#7963**



**Mortised**

**FINISHES: CA**

**AVAILABLE SIZES:** Can be manufactured to any length from 12" to 96"

**OPTIONS:**

- BRW** - Brillow
- EA** - Electrical Actuator
- FL** - Fire Label
- FX** - Intumescent
- PULL** - Pull Out
- PV** - Pivot Doors
- SF** - Security Fasteners

**NOTES:**

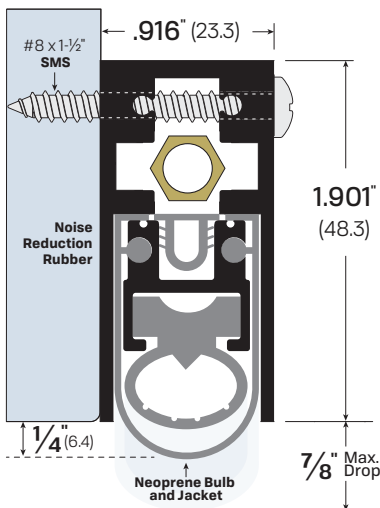
- Adjusting the brass nut changes pressure on concealed internal spring to satisfy field conditions.
- Self-leveling door seal up to maximum 7/8" drop.
- Replacement neoprene - Part #4563N and Jacket - Part #4763N
- Unit supplied with 1 pair of end caps - Part #4063EC-CA or #4063EC-MB

LEGACY	NGP	PEMKO	ZERO
<b>7963</b>	-	-	369AA



#7963CA

**#7763**



**Surface-Mounted**

**FINISHES: CA, BK, DB, GD, WP**

**AVAILABLE SIZES:** Can be manufactured to any length from 12" to 96"

**OPTIONS:**

- BRW** - Brillow
- EA** - Electrical Actuator
- FL** - Fire Label
- FX** - Intumescent
- PULL** - Pull Out
- PV** - Pivot Doors
- SF** - Security Fasteners

**NOTES:**

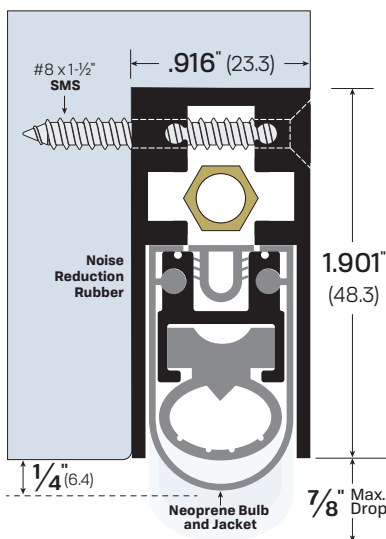
- Adjusting the brass nut changes pressure on concealed internal spring to satisfy field conditions.
- Self-leveling door seal up to maximum 7/8" drop.
- Replacement neoprene - Part #4563N and Jacket - Part #4763N
- Unit supplied with 1 pair of end caps - Part #4163EC-CA or #4163EC-MB

LEGACY	NGP	PEMKO	ZERO
<b>7763</b>	-	-	367AA



#7763CA

**#7863**



**Semi-Mortised**

**FINISHES: CA, BK, DB, GD, WP**

**AVAILABLE SIZES:** Can be manufactured to any length from 12" to 96"

**OPTIONS:**

- BRW** - Brillow
- EA** - Electrical Actuator
- FX** - Intumescent
- FL** - Fire Label
- SF** - Security Fasteners
- PULL** - Pull Out
- PV** - Pivot Doors

**NOTES:**

- Adjusting the brass nut changes pressure on concealed internal spring to satisfy field conditions.
- Self-leveling door seal up to maximum 7/8" drop.
- Replacement neoprene - Part #4563N and Jacket - Part #4763N
- Unit supplied with 1 pair of end caps - Part #4163EC-CA or #4163EC-MB

LEGACY	NGP	PEMKO	ZERO
<b>7863</b>	-	-	368AA



#7863CA