

Mortised AIR Sweep

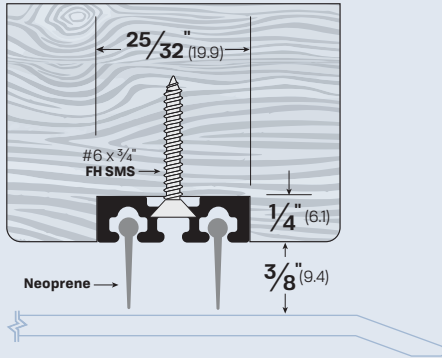
This option allows free flow of air while still blocking light at the bottom of the door. Useful for applications with pressure differentials, such as boiler room doors, it is also a practical solution for certain hotel room and stairwell applications.

Our AIR design features double rows of notched and staggered neoprene seals for effective air flow.



#76453CA

#76453

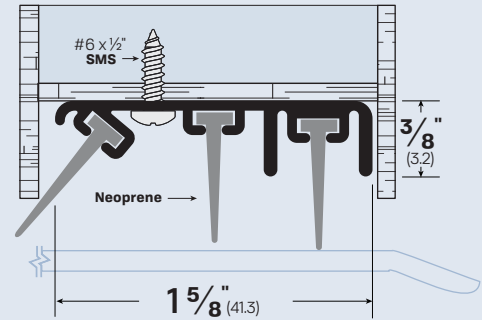


FINISHES: MA

OPTIONS: AIR - Air Flow

LEGACY	NGP	PEMKO	ZERO
76453	12T	-	3546A

#7283

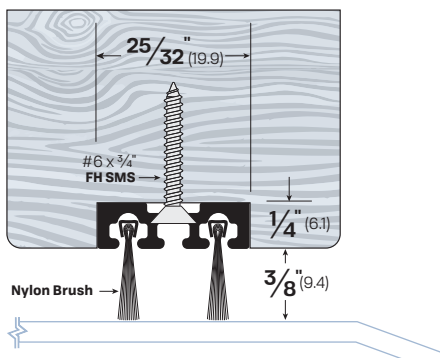


FINISHES: CA

OPTIONS: AIR - Air Flow

LEGACY	NGP	PEMKO	ZERO
7283	-	-	-

#74453

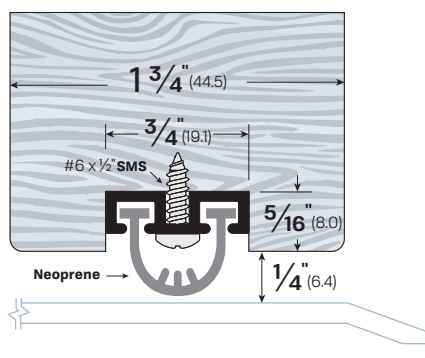


FINISHES: MA

OPTIONS: AIR - Air Flow

LEGACY	NGP	PEMKO	ZERO
74453	-	-	-

#735



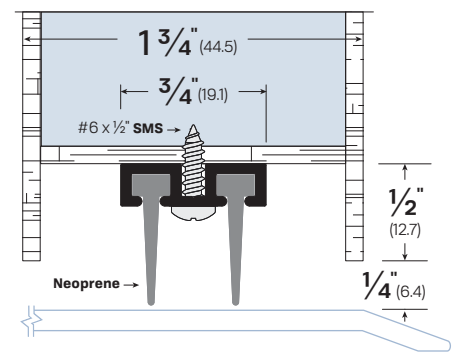
FINISHES: MA

NOTES: Rubber is Field Reversible



LEGACY	NGP	PEMKO	ZERO
735	116N	313AN	53A

#7183



FINISHES: MA

OPTIONS: AIR - Air Flow

LEGACY	NGP	PEMKO	ZERO
7183	-	-	381A