

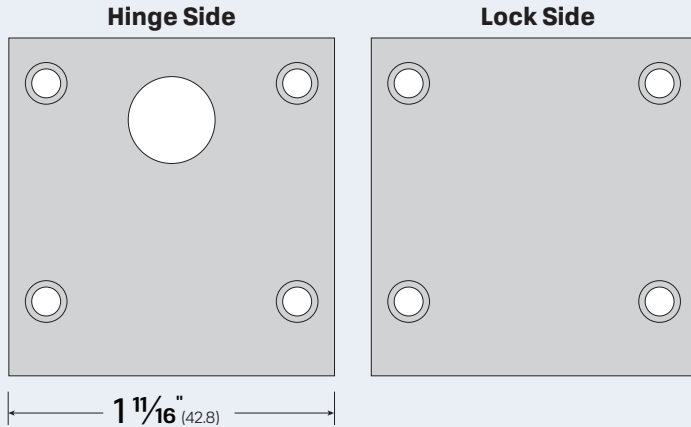
Automatic Door Bottoms

## End Caps

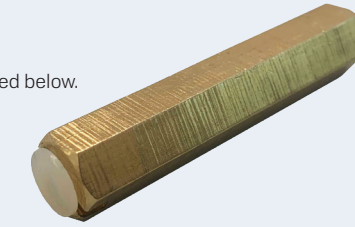
**NOTES:**

- Standard finish is Clear Anodized Aluminum (CA). Pair supplied standard as noted below.
- Matte Black (MB) finish option is available. Example Order: #4153EC-MB

### #749EC



**#749EC-SP**  
 Optional end cap for mortised door bottoms with the PULL option. Specify #749EC to order.



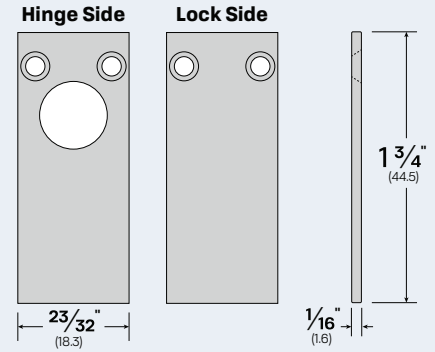
### #2INCHNUT

Extension Nut

**NOTES:**

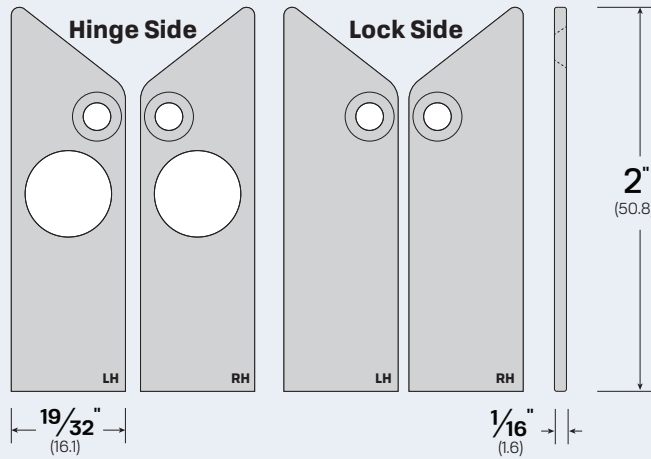
- Longer than standard hexnut (1-1/4").
- Compensates for unusually large gap between the door and frame.

### #4153EC



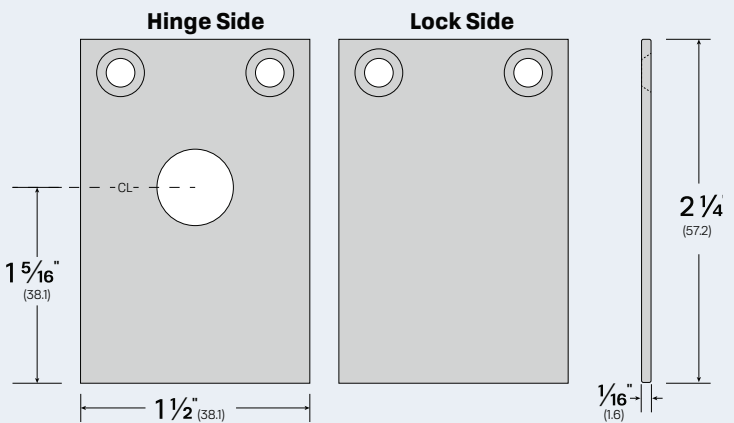
**#4153EC-CA or #4153EC-MB**  
 Pair supplied standard with: #7153, #7253

### #4123EC



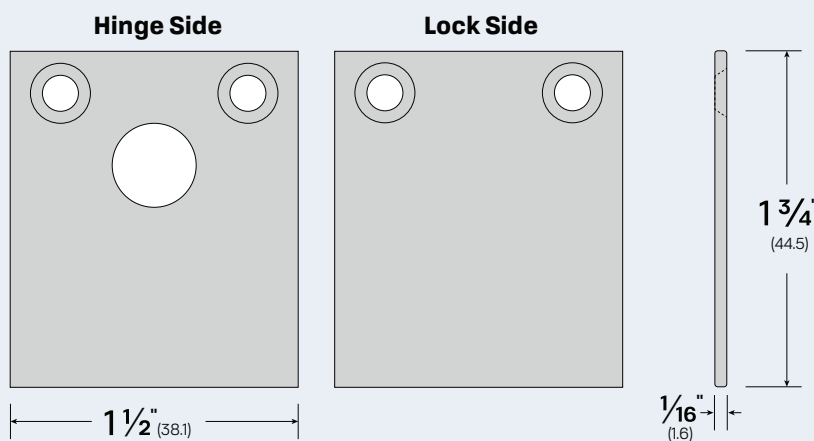
**#4123EC-CA or #4123EC-MB**  
 Pair supplied standard with: #7123

### #4063EC



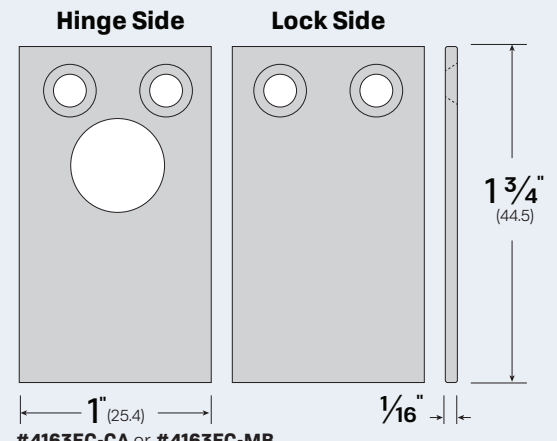
**#4063EC-CA or #4063EC-MB**  
 Pair supplied standard with: #7053, #7063, #7463, #7963

### #4023EC



**#4023EC-CA or #4023EC-MB**  
 Pair supplied standard with: #7023, #7323

### #4163EC



**#4163EC-CA or #4163EC-MB**  
 Pair supplied standard with: #7163, #7263, #7563, #7663, #7763, #7863