

Automatic Door Bottoms (ADB)

Legacy automatic door bottoms (ADB) are designed and built using proprietary rubber and highest-quality housings for superior performance and durability, even under the most challenging installed conditions. The proof is in our exhaustive cycle testing in the lab. And the best measure of performance over many years in the field is the sound of silence from satisfied customers.

Legacy's ADB product line is unsurpassed in the industry for scope and versatility. Used primarily for blocking air, noise, smoke and fire, Legacy ADBs are also available for specialized applications, such as electrical actuation, X-ray protection or allowing free air flow. Additional options help specifiers optimize the utility of our models for specific applications, and we offer a wide range of anodized and powder-coated finishes. Recent enhancements provide simplified interior design for better service life and maintenance.

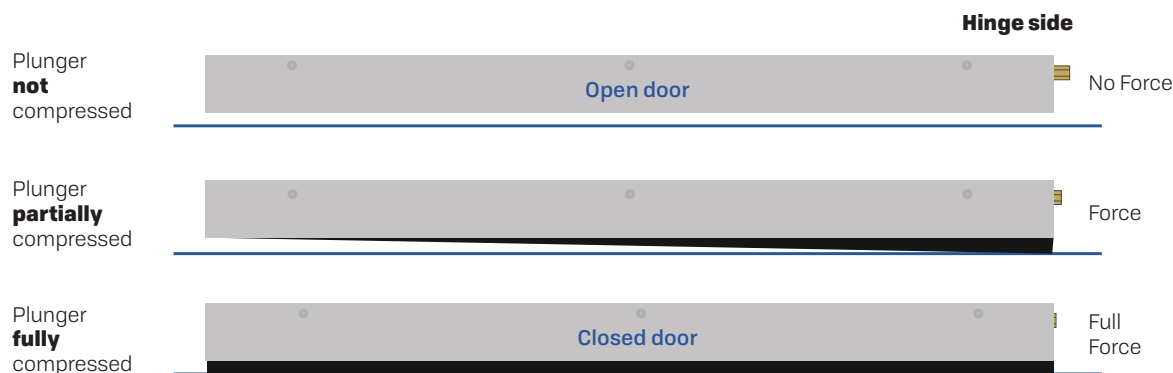
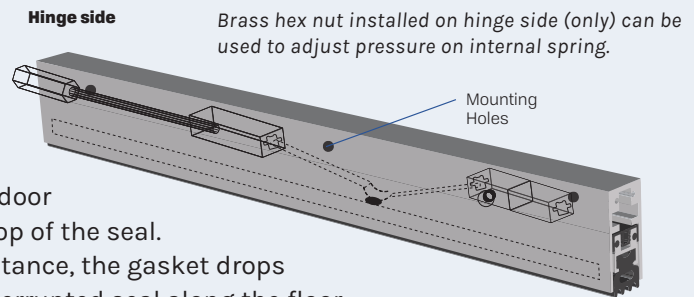
Patent-pending technology

The technology for reliable performance is the same for all standard Legacy ADBs. The rubber seal along the bottom of the unit is concealed when the door is open.

As the door closes, compression of a plunger against the door frame activates a spring mechanism that controls the drop of the seal.

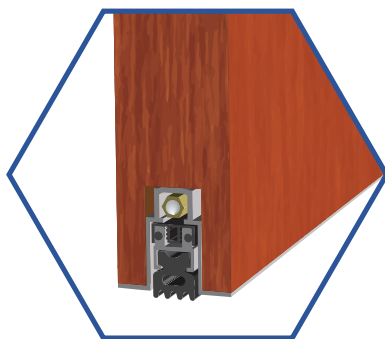
Operating from the hinge side to eliminate drag and resistance, the gasket drops down smoothly in a scissor-like motion creating an uninterrupted seal along the floor.

This self-leveling operation ensures a tight seal even on uneven surfaces. An adjustable brass hex nut attached to the plunger provides additional control to satisfy field conditions.

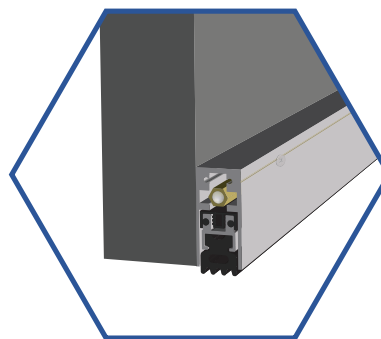


Tested over
5 million cycles

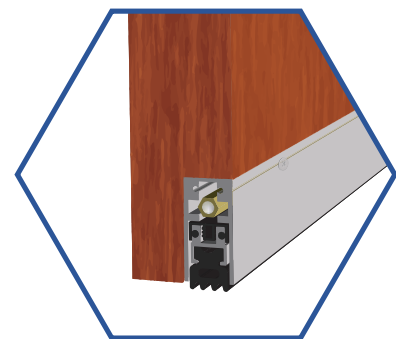
Mounting Options



Mortised
#7063CA



Surface-Mounted
#7163CA



Semi-Mortised
#7263CA

How To Order: Automatic Door Bottoms

Example #7463CA-FX-36

Easy Ways To Order
Email

Orders@LegacyLLC.com

Phone

Local: +1 (718) 292-5333

Toll Free: +1 (888) 383-3330

PART NUMBER & FINISH - OPTIONS - LENGTH (IN)
7463
CA
FX
36
PART NUMBER

7023	7563	End Caps
7053	7593	749EC
7063	7663	4023EC
7093	7763	4063EC
7123	7793	4123EC
7153	7863	4153EC
7163	7963	4163EC
7253	71553	
7263	72553	Misc.
7323		2INCHNUT
7463		545DP
7553		

FINISH

Finishes vary by product. Please check available finishes listed for each product.

- CA** - Clear Anodized
- MA** - Mill Aluminum
- BK** - Black Anodized Aluminum
- DB** - Dark Bronze Anodized Aluminum
- GD** - Gold Anodized Aluminum
- WP** - White Powder Coat

OPTIONS

Options vary by product. Please check available options listed for each product.

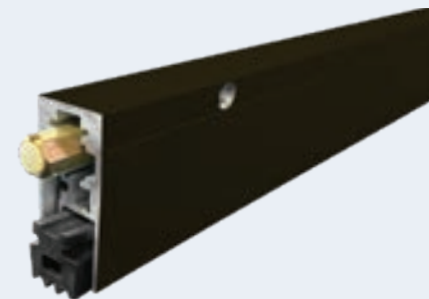
- | | | |
|---|---------------------------------|-----------------------------------|
| Blank - No Option | EP - Extended Plunger | LS - Light Spring |
| AIR - Air Flow | FL - Fire Label | PULL - Pull Out Out |
| BRW - Brillow | FX - Intumescent | PV - Pivot Doors |
| EA - Electrical Actuator | LIG - Ligature Resistant | SF - Security Fasteners |
| EMI/RFI - Electromagnetic / Radio Frequency Interference | LL - Lead Lined | SL - Sliding Doors |
| | | TD - Top Door Installation |

LENGTH
AVAILABLE SIZES - Can be manufactured to any length from 12" to 144".
 Please specify to nearest 1/16"

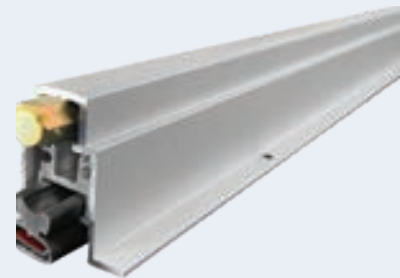

#7593CA-FX



#7763CA



#7163DB

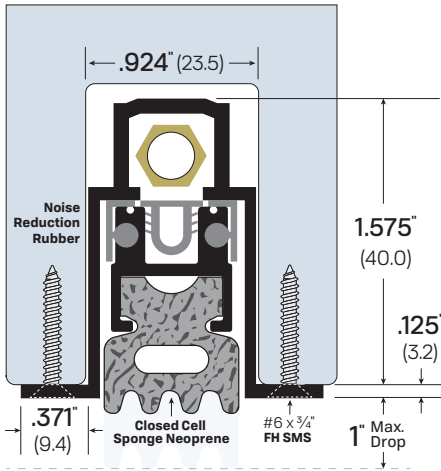


#7463CA-FX



#7553MA

#7063



Mortised

FINISHES: CA

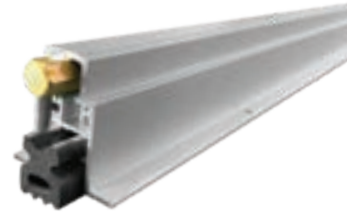
AVAILABLE SIZES: Can be manufactured to any length from 12" to 144"

OPTIONS:

- | | | |
|---------------------------------|--------------------------------|-----------------------------------|
| EA - Electrical Actuator | PULL - Pull Out | SL - Sliding Doors |
| FL - Fire Label | PV - Pivot Doors | TD - Top Door Installation |
| LS - Light Spring | SF - Security Fasteners | |

NOTES:

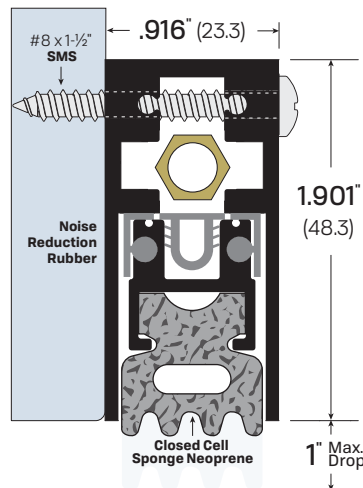
- Adjusting the brass nut changes pressure on concealed internal spring to satisfy field conditions.
- Self-leveling door seal up to maximum 1" drop.
- Replacement closed cell sponge neoprene - Part #4363SPR
- Unit supplied with 1 pair of end caps - Part #4063EC-CA or #4063EC-MB



#7063CA

LEGACY	NGP	PEMKO	ZERO
7063	423N	434ARL	360AA

#7163



Surface-Mounted

FINISHES: CA, BK, DB, GD, WP

AVAILABLE SIZES: Can be manufactured to any length from 12" to 144"

OPTIONS:

- | | | |
|---------------------------------|--------------------------------|---------------------------|
| EA - Electrical Actuator | PV - Pivot Doors | SL - Sliding Doors |
| FL - Fire Label | SF - Security Fasteners | |
| LS - Light Spring | | |

NOTES:

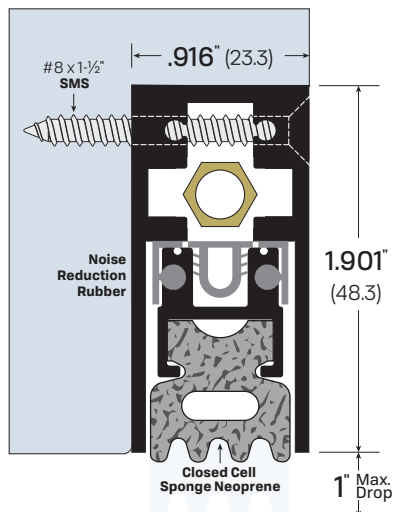
- Adjusting the brass nut changes pressure on concealed internal spring to satisfy field conditions.
- Self-leveling door seal up to maximum 1" drop.
- Replacement closed cell sponge neoprene - Part #4363SPR
- Unit supplied with 1 pair of end caps - Part #4163EC-CA or #4163EC-MB



#7163CA

LEGACY	NGP	PEMKO	ZERO
7163	420N	430ARL	361AA

#7263



Semi-Mortised

FINISHES: CA, BK, DB, GD, WP

AVAILABLE SIZES: Can be manufactured to any length from 12" to 144"

OPTIONS:

- | | | |
|---------------------------------|--------------------------------|-----------------------------------|
| EA - Electrical Actuator | PULL - Pull Out | SL - Sliding Doors |
| FL - Fire Label | PV - Pivot Doors | TD - Top Door Installation |
| LS - Light Spring | SF - Security Fasteners | |

NOTES:

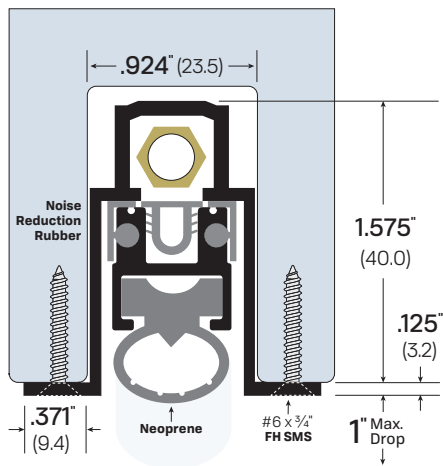
- Adjusting the brass nut changes pressure on concealed internal spring to satisfy field conditions.
- Self-leveling door seal up to maximum 1" drop.
- Replacement closed cell sponge neoprene - Part #4363SPR
- Unit supplied with 1 pair of end caps - Part #4163EC-CA or #4163EC-MB



#7263CA

LEGACY	NGP	PEMKO	ZERO
7263	420NHM	430ARL	362AA

#7463



Mortised

FINISHES: CA

AVAILABLE SIZES: Can be manufactured to any length from 12" to 144"

OPTIONS:

- | | | |
|---------------------------------|--------------------------|-----------------------------------|
| BRW - Brillow | FX - Intumescent | PV - Pivot Doors |
| EA - Electrical Actuator | LS - Light Spring | SF - Security Fasteners |
| FL - Fire Label | PULL - Pull Out | SL - Sliding Doors |
| | | TD - Top Door Installation |

NOTES:

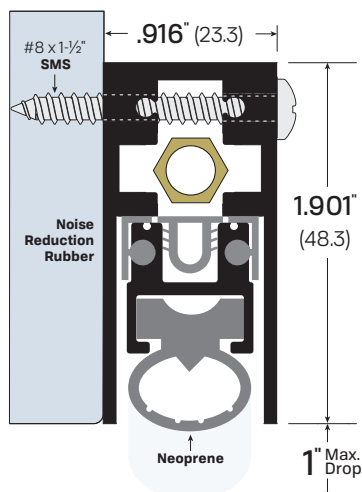
- Adjusting the brass nut changes pressure on concealed internal spring to satisfy field conditions.
- Self-leveling door seal up to maximum 1" drop.
- Replacement closed cell sponge neoprene - Part #4563N
- Unit supplied with 1 pair of end caps - Part #4063EC-CA or #4063EC-MB

LEGACY	NGP	PEMKO	ZERO
7463	522N	434APKL	364AA



#7463CA

#7563



Surface-Mounted

FINISHES: CA, BK, DB, GD, WP

AVAILABLE SIZES: Can be manufactured to any length from 12" to 144"

OPTIONS:

- | | | |
|--|--------------------------|--------------------------------|
| BRW - Brillow | Frequency Interference | PULL - Pull Out |
| EA - Electrical Actuator | FL - Fire Label | PV - Pivot Doors |
| EMI/RFI - Electromagnetic/Radio | FX - Intumescent | SF - Security Fasteners |
| | LS - Light Spring | SL - Sliding Doors |

NOTES:

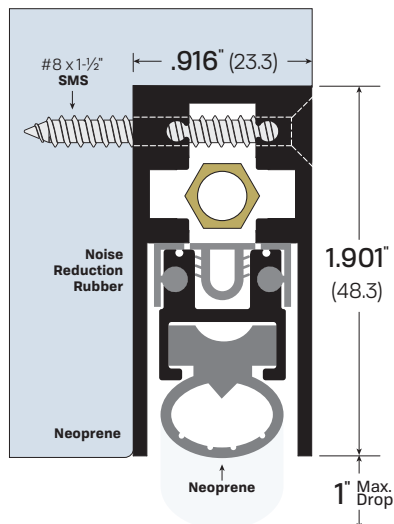
- Adjusting the brass nut changes pressure on concealed internal spring to satisfy field conditions.
- Self-leveling door seal up to maximum 1" drop.
- Replacement neoprene - Part #4563N
- Unit supplied with 1 pair of end caps - Part #4163EC-CA or #4163EC-MB

LEGACY	NGP	PEMKO	ZERO
7563	520N	4301APKL	365AA



#7563CA

#7663



Semi-Mortised

FINISHES: CA, BK, DB, GD, WP

AVAILABLE SIZES: Can be manufactured to any length from 12" to 144"

OPTIONS:

- | | | |
|---|--------------------------|-----------------------------------|
| BRW - Brillow | FL - Fire Label | SF - Security Fasteners |
| EA - Electrical Actuator | FX - Intumescent | SL - Sliding Doors |
| EMI/RFI - Electromagnetic/Radio Frequency Interference | LS - Light Spring | TD - Top Door Installation |
| | PULL - Pull Out | |
| | PV - Pivot Doors | |

NOTES:

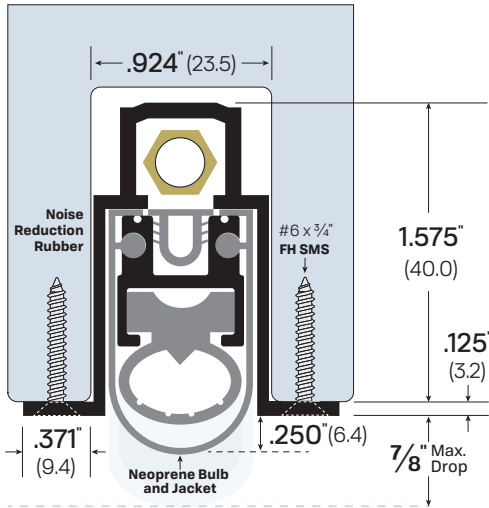
- Adjusting the brass nut changes pressure on concealed internal spring to satisfy field conditions.
- Self-leveling door seal up to maximum 1" drop.
- Replacement neoprene - Part #4563N
- Unit supplied with 1 pair of end caps - Part #4163EC-CA or #4163EC-MB

LEGACY	NGP	PEMKO	ZERO
7663	520NHM	4301APKL	366AA



#7663CA

#7963



Mortised

FINISHES: CA

AVAILABLE SIZES: Can be manufactured to any length from 12" to 96"

OPTIONS:

- BRW** - Brillow
- EA** - Electrical Actuator
- FL** - Fire Label
- FX** - Intumescent
- PULL** - Pull Out
- PV** - Pivot Doors
- SF** - Security Fasteners

NOTES:

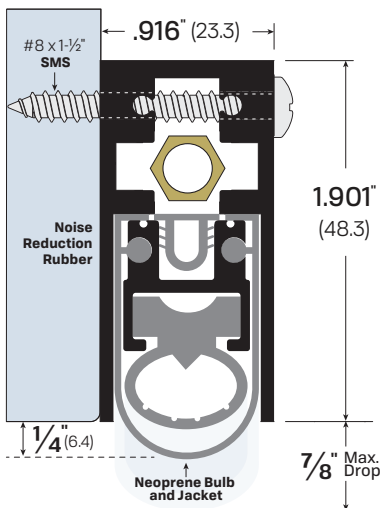
- Adjusting the brass nut changes pressure on concealed internal spring to satisfy field conditions.
- Self-leveling door seal up to maximum 7/8" drop.
- Replacement neoprene - Part #4563N and Jacket - Part #4763N
- Unit supplied with 1 pair of end caps - Part #4063EC-CA or #4063EC-MB

LEGACY	NGP	PEMKO	ZERO
7963	-	-	369AA



#7963CA

#7763



Surface-Mounted

FINISHES: CA, BK, DB, GD, WP

AVAILABLE SIZES: Can be manufactured to any length from 12" to 96"

OPTIONS:

- BRW** - Brillow
- EA** - Electrical Actuator
- FL** - Fire Label
- FX** - Intumescent
- PULL** - Pull Out
- PV** - Pivot Doors
- SF** - Security Fasteners

NOTES:

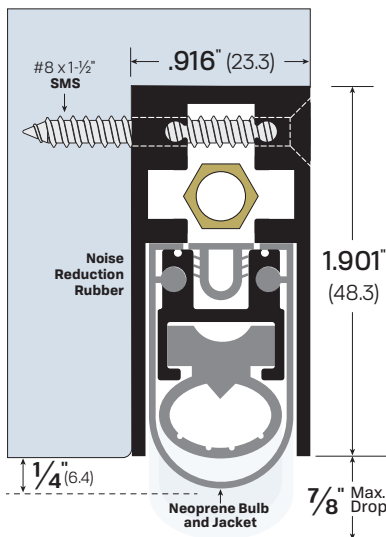
- Adjusting the brass nut changes pressure on concealed internal spring to satisfy field conditions.
- Self-leveling door seal up to maximum 7/8" drop.
- Replacement neoprene - Part #4563N and Jacket - Part #4763N
- Unit supplied with 1 pair of end caps - Part #4163EC-CA or #4163EC-MB

LEGACY	NGP	PEMKO	ZERO
7763	-	-	367AA



#7763CA

#7863



Semi-Mortised

FINISHES: CA, BK, DB, GD, WP

AVAILABLE SIZES: Can be manufactured to any length from 12" to 96"

OPTIONS:

- BRW** - Brillow
- EA** - Electrical Actuator
- FX** - Intumescent
- FL** - Fire Label
- SF** - Security Fasteners
- PULL** - Pull Out
- PV** - Pivot Doors

NOTES:

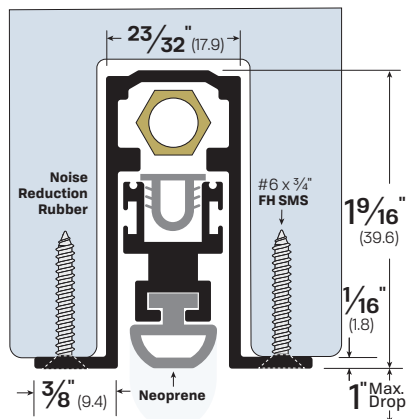
- Adjusting the brass nut changes pressure on concealed internal spring to satisfy field conditions.
- Self-leveling door seal up to maximum 7/8" drop.
- Replacement neoprene - Part #4563N and Jacket - Part #4763N
- Unit supplied with 1 pair of end caps - Part #4163EC-CA or #4163EC-MB

LEGACY	NGP	PEMKO	ZERO
7863	-	-	368AA



#7863CA

#7053 




Mortised

FINISHES: CA

AVAILABLE SIZES: Can be manufactured to any length from 12" to 144"

OPTIONS:

- | | | |
|---------------------------------|--|-----------------------------------|
| AIR - Air Flow |  LS - Light Spring | SF - Security Fasteners |
| EA - Electrical Actuator | PULL - Pull Out | SL - Sliding Doors |
| LL - Lead Lined | PV - Pivot Doors | TD - Top Door Installation |

NOTES:

- Adjusting the brass nut changes pressure on concealed internal spring to satisfy field conditions.
- Self-leveling door seal up to maximum 1" drop.
- Replacement neoprene - Part #4053N or optional Part #4441N
- Unit supplied with 1 pair of end caps - Part #4063EC-CA or #4063EC-MB



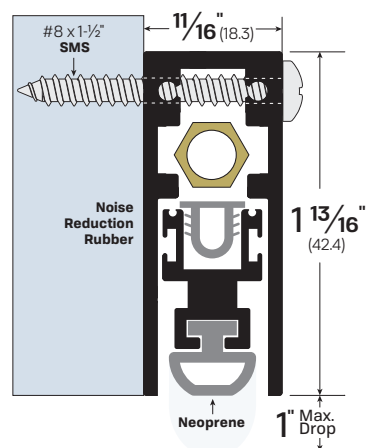
#7053CA



Optional Silicone insert Part #4441S-BK

LEGACY	NGP	PEMKO	ZERO
7053	225N	434APKL	350AA

#7153 




Surface-Mounted

FINISHES: CA, BK, WP

AVAILABLE SIZES: Can be manufactured to any length from 12" to 144"

OPTIONS:

- | | | |
|---------------------------------|--|--------------------------------|
| AIR - Air Flow | LL - Lead Lined | PV - Pivot Doors |
| EA - Electrical Actuator |  LS - Light Spring | SF - Security Fasteners |
| FL - Fire Label | PULL - Pull Out | SL - Sliding Doors |

NOTES:

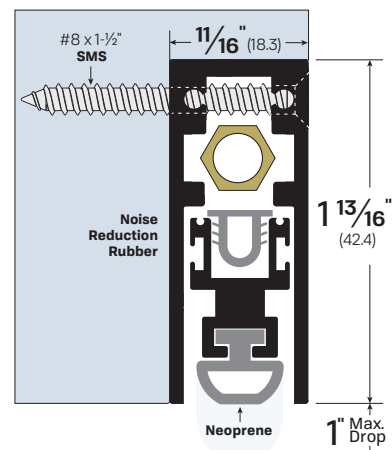
- Adjusting the brass nut changes pressure on concealed internal spring to satisfy field conditions.
- Self-leveling door seal up to maximum 1" drop.
- Replacement neoprene - Part #4053N or optional Part #4441N
- Unit supplied with 1 pair of end caps - Part #4153EC-CA or #4153EC-MB



#7153CA

LEGACY	NGP	PEMKO	ZERO
7153	222N	413IASL	351AA

#7253 




Semi-Mortised

FINISHES: CA, BK, WP

AVAILABLE SIZES: Can be manufactured to any length from 12" to 144"

OPTIONS:

- | | | |
|--|--------------------------------|-----------------------------------|
| AIR - Air Flow | SF - Security Fasteners | EA - Electrical Actuator |
| FL - Fire Label | PULL - Pull Out | SL - Sliding Doors |
| LL - Lead Lined | PV - Pivot Doors | TD - Top Door Installation |
|  LS - Light Spring | | |

NOTES:

- Adjusting the brass nut changes pressure on concealed internal spring to satisfy field conditions.
- Self-leveling door seal up to maximum 1" drop.
- Replacement neoprene - Part #4053N or optional Part #4441N
- Unit supplied with 1 pair of end caps - Part #4153EC-CA or #4153EC-MB

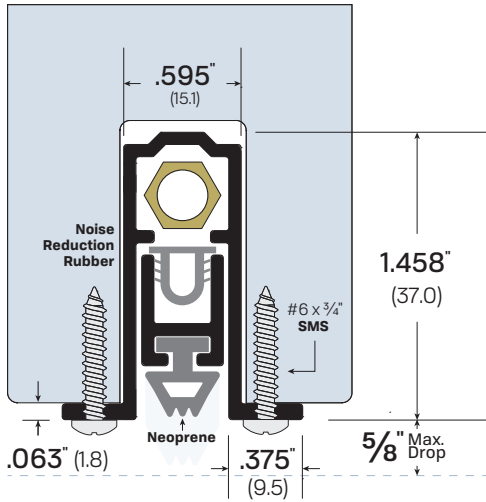


#7253CA

LEGACY	NGP	PEMKO	ZERO
7253	222N	413IASL	352AA

Automatic Door Bottoms

#7023



Mortised

FINISHES: CA

AVAILABLE SIZES: Can be manufactured to any length from 12" to 144"

OPTIONS:

- AIR** - Air Flow
- FL** - Fire Label
- EA** - Electrical Actuator
- LS** - Light Spring
- PULL** - Pull Out
- PV** - Pivot Doors
- SF** - Security Fasteners
- SL** - Sliding Doors
- TD** - Top Door Installation

NOTES:

- Adjusting the brass nut changes pressure on concealed internal spring to satisfy field conditions.
- Self-leveling door seal up to maximum 5/8" drop.
- Replacement neoprene - Part #4023N
- Unit supplied with 1 pair of end caps - Part #4063EC-CA or #4063EC-MB

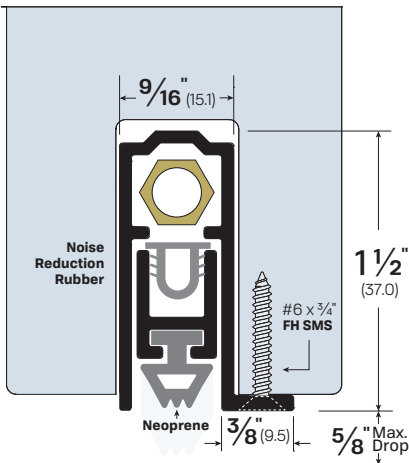
LEGACY	NGP	PEMKO	ZERO
7023	335N	411ARL	320AA



#7023CA



#7323



Mortised

FINISHES: CA

AVAILABLE SIZES: Can be manufactured to any length from 12" to 144"

OPTIONS:

- AIR** - Air Flow
- EA** - Electrical Actuator
- FL** - Fire Label
- LS** - Light Spring
- PULL** - Pull Out
- PV** - Pivot Doors
- SF** - Security Fasteners
- SL** - Sliding Doors
- TD** - Top Door Installation

NOTES:

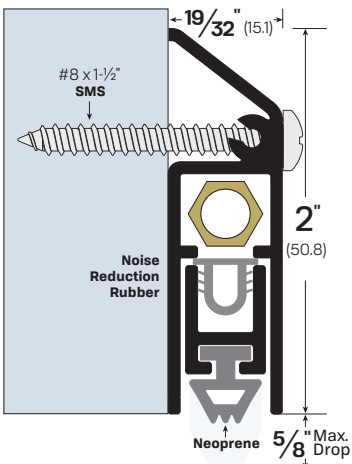
- For doors smaller than 1-3/4"
- Adjusting the brass nut changes pressure on concealed internal spring to satisfy field conditions.
- Self-leveling door seal up to maximum 5/8" drop.
- Unit is handed and can be reversed upon request.
- Replacement neoprene - Part #4023N
- Unit supplied with 1 pair of end caps - Part #4063EC-CA or #4063EC-MB

LEGACY	NGP	PEMKO	ZERO
7323	-	-	323AA



#7323CA

#7123



Surface-Mounted

FINISHES: CA, BK, WP

AVAILABLE SIZES: Can be manufactured to any length from 12" to 144"

OPTIONS:

- AIR** - Air Flow
- EA** - Electrical Actuator
- FL** - Fire Label
- LS** - Light Spring
- PULL** - Pull Out
- PV** - Pivot Doors
- SF** - Security Fasteners
- SL** - Sliding Doors

NOTES:

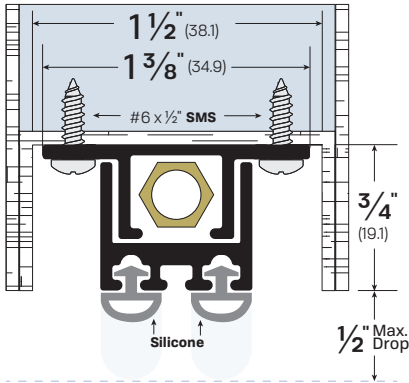
- Adjusting the brass nut changes pressure on concealed internal spring to satisfy field conditions.
- Self-leveling door seal up to maximum 5/8" drop.
- Unit is handed and can be reversed upon request.
- Replacement neoprene - Part #4023N
- No end caps provided

LEGACY	NGP	PEMKO	ZERO
7123	220N	412ARL	321AA



#7123CA

#7553  



Mortised

FINISHES: MA

AVAILABLE SIZES: Can be manufactured to any length from 12" to 144"

OPTIONS:

- AIR** - Air Flow
- EA** - Electrical Actuator
- FL** - Fire Label
- LIG** - Ligature Resistant
- LS** - Light Spring
- PV** - Pivot Doors
- SF** - Security Fasteners
- SL** - Sliding Doors
- TD** - Top Door Installation

NOTES:

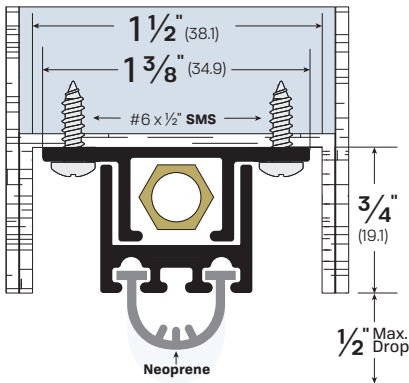
- For use on 1-3/4" and larger Hollow Metal doors
- Adjusting the brass nut changes pressure on concealed internal spring to satisfy field conditions.
- Self-leveling door seal up to maximum 1/2" drop.
- Replacement neoprene - Part #4075N
- No end caps provided



#7553CA

LEGACY	NGP	PEMKO	ZERO
7553	320N	420APK	355A

#71553  



Mortised

FINISHES: MA

AVAILABLE SIZES: Can be manufactured to any length from 12" to 144"

OPTIONS:

- EA** - Electrical Actuator
- FL** - Fire Label
- LS** - Light Spring
- PV** - Pivot Doors
- SF** - Security Fasteners
- SL** - Sliding Doors
- TD** - Top Door Installation

NOTES:

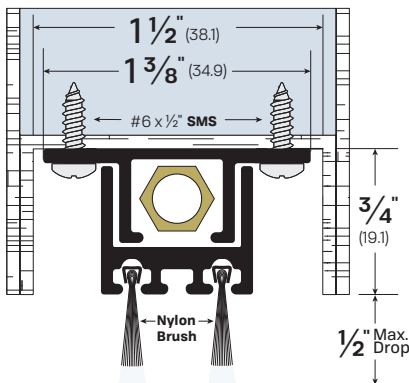
- For use on 1 3/4" and larger Hollow Metal doors
- Adjusting the brass nut changes pressure on concealed internal spring to satisfy field conditions.
- Self-leveling door seal up to maximum 1/2" drop.
- Replacement neoprene - Part #434N
- No end caps provided



#71553CA

LEGACY	NGP	PEMKO	ZERO
71553	-	-	3551A

#72553



Mortised

FINISHES: MA

AVAILABLE SIZES: Can be manufactured to any length from 12" to 144"

OPTIONS:

- AIR** - Air Flow
- EA** - Electrical Actuator
- LS** - Light Spring
- LIG** - Ligature Resistant
- PV** - Pivot Doors
- SF** - Security Fasteners
- SL** - Sliding Doors
- TD** - Top Door Installation

NOTES:

- For use on 1-3/4" and larger Hollow Metal doors
- Adjusting the brass nut changes pressure on concealed internal spring to satisfy field conditions.
- Self-leveling door seal up to maximum 1/2" drop.
- Replacement Nylon Brush - Part #4075NB
- No end caps provided



#72553CA

LEGACY	NGP	PEMKO	ZERO
72553	-	-	3552A

Automatic Door Bottoms

Extended Drop Door Bottoms for Use On Doors With Excessive Gaps (Patent Pending)

Developed in response to specific user requirements, our new extended drop automatic door bottom solves two common problems. Its integrated design features a unique sloped top casing designed to slough off rain water and prevent pooling on top of the ADB housing in exterior applications. It simplifies installation by eliminating the need for adding a separate rain drip part to the door bottom.

Providing up to a 1.5 inch drop, deeper than typical ADBs, this unit is also designed to help compensate for drop differentials found in door installations with large gradients or slope conditions on one side of the door. The deep drop can also be useful for exterior installations where floor surfaces may be degraded by weather exposure. The deeper drop allows smooth door function in spite these conditions, which can otherwise cause door bottoms to drag and stick.

FINISHES: CA, MB, WP

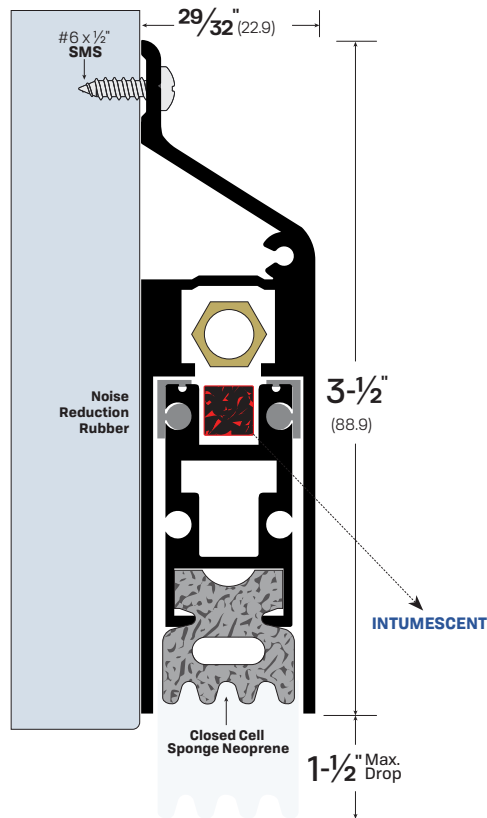
AVAILABLE SIZES: Can be manufactured to any length from 12" to 96"

OPTIONS: FX - Intumescent SF - Security Fasteners

NOTES:

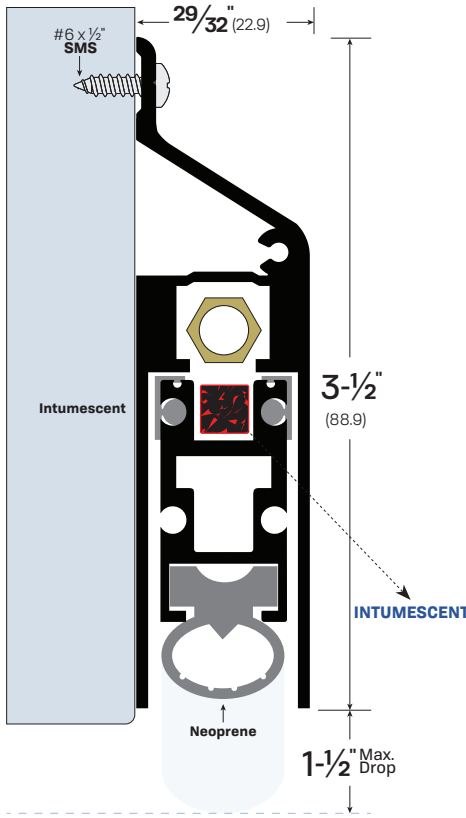
- For use on doors with an excessive undercut or uneven floor.
- Adjusting the brass nut changes pressure on concealed internal spring to satisfy field conditions.
- Self-leveling door seal up to maximum 1-1/2" drop.
- Unit supplied with 1 pair of end caps - Part #4093EC-CA or #4093EC-MB

#7093-FX



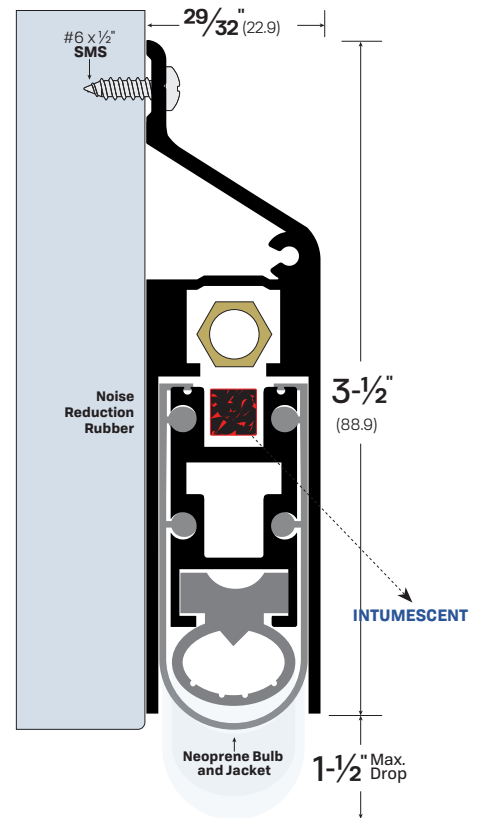
#7093-FX

#7593-FX



#7593-FX

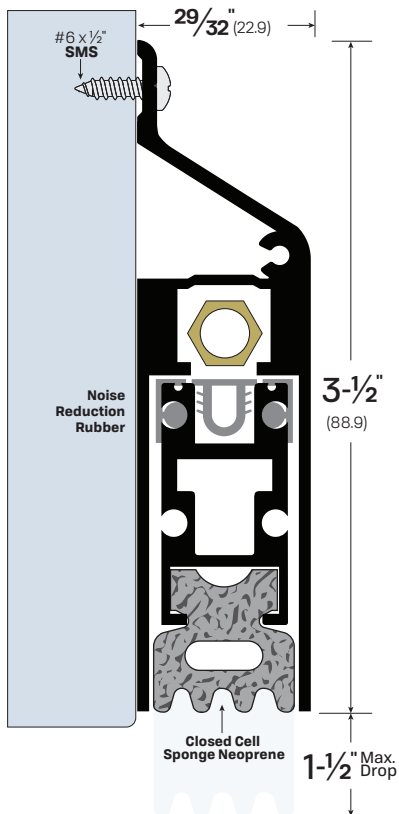
#7793-FX



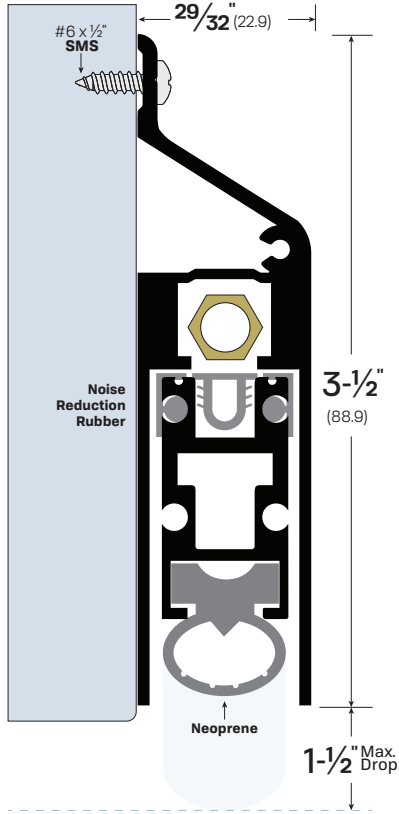
#7793-FX

#7593-FX may be used to restore lost fire ratings due to excessive gaps at the bottom of the door up to 1-1/2" when installed per NFPA 80.

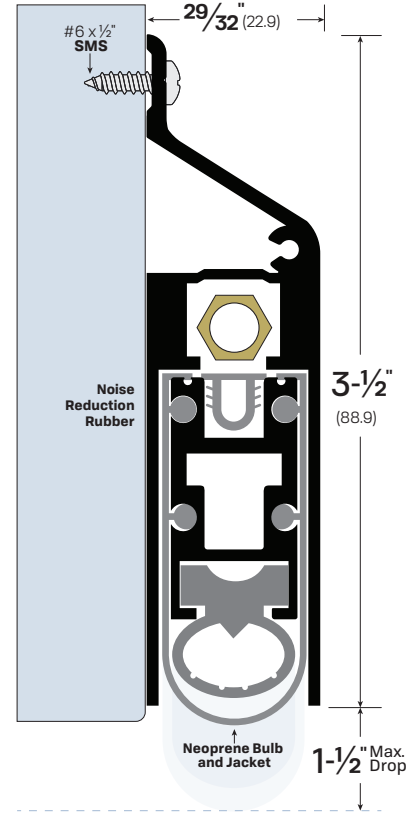
#7093



#7593



#7793



FINISHES: CA, MB, WP

AVAILABLE SIZES: Can be manufactured to any length from 12" to 96"

OPTIONS: FX - Intumescent SF - Security Fasteners

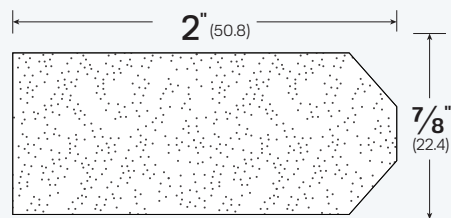
NOTES:

- For use on doors with an excessive undercut or uneven floor.
- Adjusting the brass nut changes pressure on concealed internal spring to satisfy field conditions.
- Self-leveling door seal up to maximum 1-1/2" drop.
- Unit supplied with 1 pair of end caps - Part #4093EC-CA or #4093EC-MB

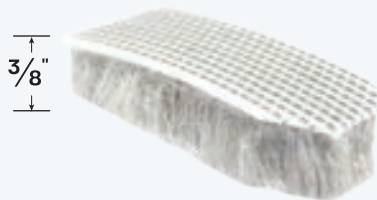


#7593-CA

#545DP Corner Dust Plug



FINISHES: BK, GY, WH



HOW TO ORDER: #545DP

LEGACY	NGP	PEMKO	ZERO
545DP	54CP	ACPT12BL	2541



Automatic Door Bottoms

Air Flow

This option allows free flow of air while still blocking light at the bottom of the door. Useful for applications with pressure differentials, such as boiler room doors, it is also a practical solution for certain hotel room and stairwell applications.

Our AIR design features double rows of notched and staggered neoprene seals for effective air flow. Legacy automatic door bottoms offered with the AIR option include a unique mortised model for wood doors, along with standard semi-mortised and surface-mounted models.

LEGACY	7053-AIR	7153-AIR	7253-AIR
NGP	-	-	-
PEMCO	-	-	-
ZERO	-	-	-

AVAILABLE SIZES: Can be manufactured to any length from 12" to 144"

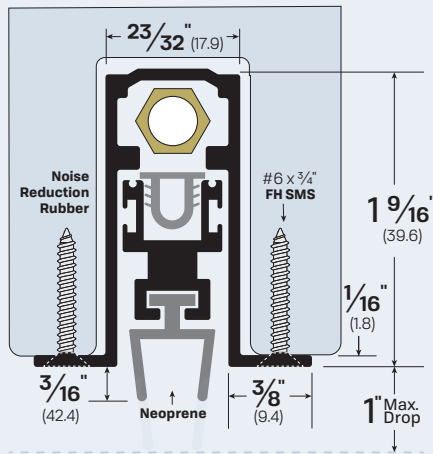
NOTES:

- Adjusting the brass nut changes pressure on concealed internal spring to satisfy field conditions.
- Self-leveling door seal up to maximum 1" drop.
- Replacement neoprene - Part #4033N
- Unit supplied with 1 pair of end caps - Part #4063EC-CA or #4063EC-MB



#7153CA-AIR

#7053-AIR

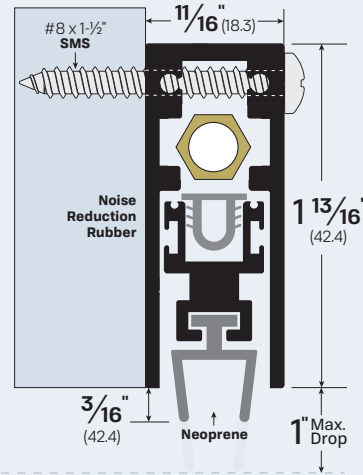


FINISHES: CA

OPTIONS:

- EA - Electrical Actuator PV - Pivot Door
LS - Light Spring SF - Security Fasteners
PULL - Pull Out

#7153-AIR

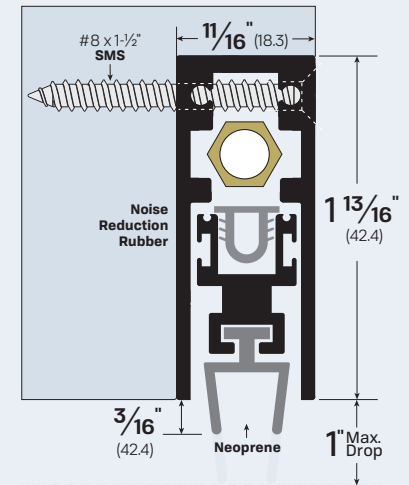


FINISHES: CA, BK, WP

OPTIONS:

- EA - Electrical Actuator PV - Pivot Door
LS - Light Spring SF - Security Fasteners
PULL - Pull Out

#7253-AIR



FINISHES: CA, BK, WP

OPTIONS:

- EA - Electrical Actuator PV - Pivot Door
LS - Light Spring SF - Security Fasteners
PULL - Pull Out



#7053CA-AIR

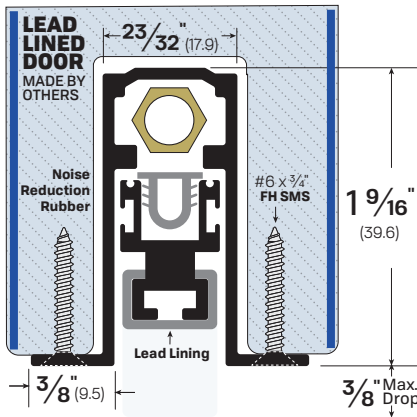


#7153CA-AIR



#7253CA-AIR

#7053-LL



Mortised

FINISHES: CA

AVAILABLE SIZES - Can be manufactured to any length from 12" to 48"

OPTIONS:

EA - Electrical Actuator **PV** - Pivot Doors **SL** - Sliding Doors
LL - Lead Lined **SF** - Security Fasteners **TD** - Top Door Installation
PULL - Pull Out

NOTES:

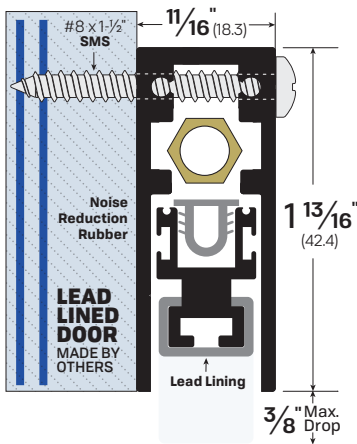
- Lead Lined material for X-Ray protection
- Adjusting the brass nut changes pressure on concealed internal spring to satisfy field conditions.
- Self-leveling door seal up to maximum 3/8" drop.
- Unit supplied with 1 pair of end caps - Part #4063EC-CA or #4063EC-MB
- Effective drop 1/4"

LEGACY	NGP	PEMKO	ZERO
7053-LL	222NN-LL	-	-



#7053CA-LL

#7153-LL



Surface-Mounted

FINISHES: CA, BK, WP

AVAILABLE SIZES - Can be manufactured to any length from 12" to 48"

OPTIONS:

EA - Electrical Actuator **PV** - Pivot Doors **SL** - Sliding Doors
LL - Lead Lined **SF** - Security Fasteners **TD** - Top Door Installation
PULL - Pull Out

NOTES:

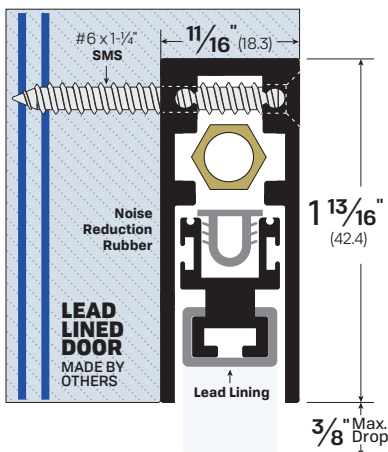
- Lead Lined material for X-Ray protection
- Adjusting the brass nut changes pressure on concealed internal spring to satisfy field conditions.
- Self-leveling door seal up to maximum 3/8" drop.
- Unit supplied with 1 pair of end caps - Part #4153EC-CA or #4153EC-MB

LEGACY	NGP	PEMKO	ZERO
7153-LL	222NN-LL	-	-



#7153CA-LL

#7253-LL



Semi-Mortised

FINISHES: CA, BK, WP

AVAILABLE SIZES - Can be manufactured to any length from 12" to 48"

OPTIONS:

EA - Electrical Actuator **PV** - Pivot Doors **TD** - Top Door Installation
LL - Lead Lined **SL** - Sliding Doors **SF** - Security Fasteners

NOTES:

- Lead Lined material for X-Ray protection
- Adjusting the brass nut changes pressure on concealed internal spring to satisfy field conditions.
- Self-leveling door seal up to maximum 3/8" drop.
- Unit supplied with 1 pair of end caps - Part #4153EC-CA or #4153EC-MB

LEGACY	NGP	PEMKO	ZERO
7253-LL	222NN-LL	-	-



#7253CA-LL

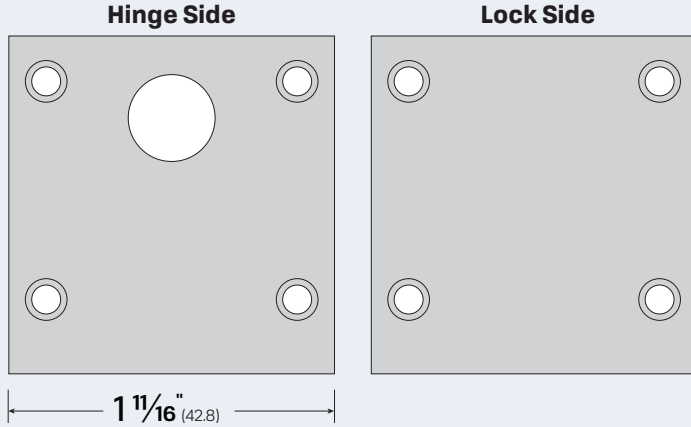
Automatic Door Bottoms

End Caps

NOTES:

- Standard finish is Clear Anodized Aluminum (CA). Pair supplied standard as noted below.
- Matte Black (MB) finish option is available. Example Order: #4153EC-MB

#749EC



#749EC-SP
 Optional end cap for mortised door bottoms with the PULL option. Specify #749EC to order.



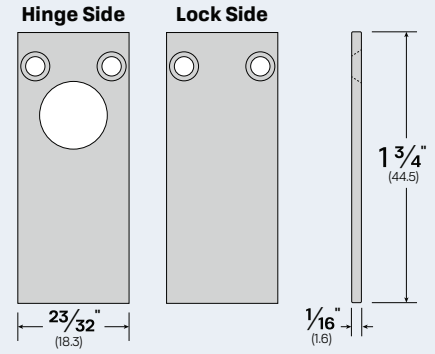
#2INCHNUT

Extension Nut

NOTES:

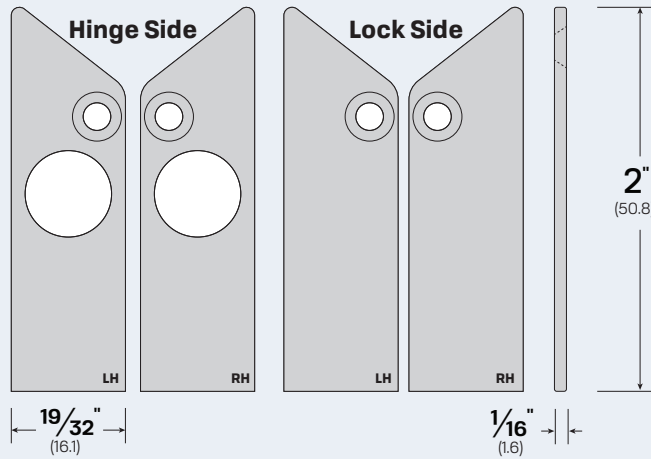
- Longer than standard hexnut (1-1/4").
- Compensates for unusually large gap between the door and frame.

#4153EC



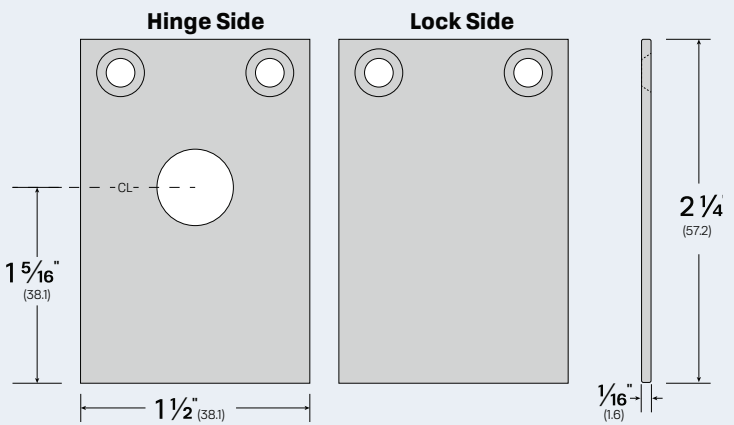
#4153EC-CA or #4153EC-MB
 Pair supplied standard with: #7153, #7253

#4123EC



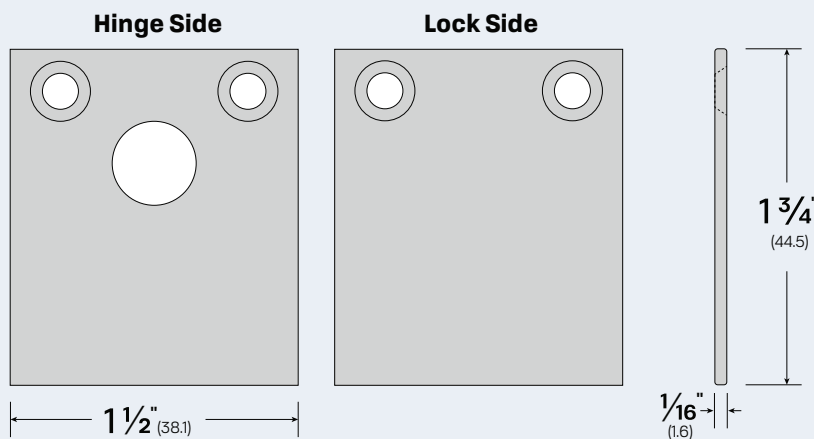
#4123EC-CA or #4123EC-MB
 Pair supplied standard with: #7123

#4063EC



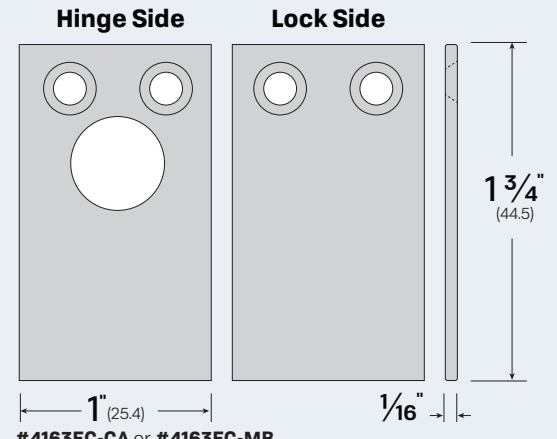
#4063EC-CA or #4063EC-MB
 Pair supplied standard with: #7053, #7063, #7463, #7963

#4023EC



#4023EC-CA or #4023EC-MB
 Pair supplied standard with: #7023, #7323

#4163EC



#4163EC-CA or #4163EC-MB
 Pair supplied standard with: #7163, #7263, #7563, #7663, #7763, #7863