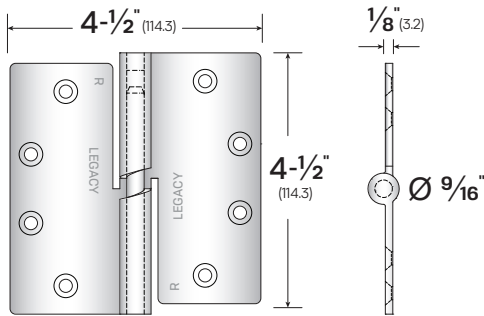


**#1559**  



**FINISHES:**

**SS** - Stainless Steel

**OPTIONS:**

**RH** - Right-Handed **LH** - Left-Handed

**NOTES:**

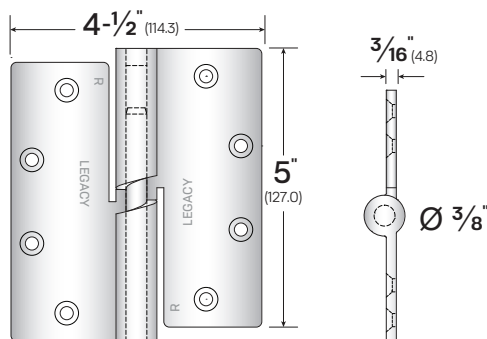
- **Example Order:** #1559SS-RH
- **Door Rating** (1-1/2 pairs): Up to 200 lbs.
- **Screw Size** (Metal Doors): 12-24 x 3/4"
- **Lift** (180° opening): 3/16"
- Includes all machine screws (24), and 1/2 wood screws (12)
- All hinges are ANSI template

LEGACY	NGP	PEMKO	ZERO
<b>1559</b>	-	-	Z955



Designed for sound-rated and other heavy doors up to 900 pounds. Manufactured from high precision stainless steel casting, the cam lift hinge provides a smooth 1/2 inch drop over a rotation of 180 degrees for superior sealing performance. Available for right or left-hand swinging doors. Sold in pairs. Please refer to each individual part for rating details.

**#1359**  



**FINISHES:**

**SS** - Stainless Steel

**OPTIONS:**

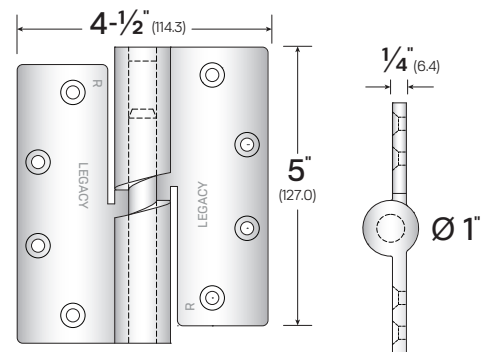
**RH** - Right-Handed **LH** - Left-Handed

**NOTES:**

- **Example Order:** #1359MB-RH
- **Door Rating** (1-1/2 pairs): Up to 300 lbs.
- **Screw Size** (Metal Doors): 12-24 x 3/4"
- **Lift** (180° opening): 1/4"
- Includes all machine screws (24), and 1/2 wood screws (12)
- All hinges are ANSI template

LEGACY	NGP	PEMKO	ZERO
<b>1359</b>	-	-	Z953

**#1059**  



**FINISHES:**

**SS** - Stainless Steel

**OPTIONS:**

**RH** - Right-Handed **LH** - Left-Handed

**NOTES:**

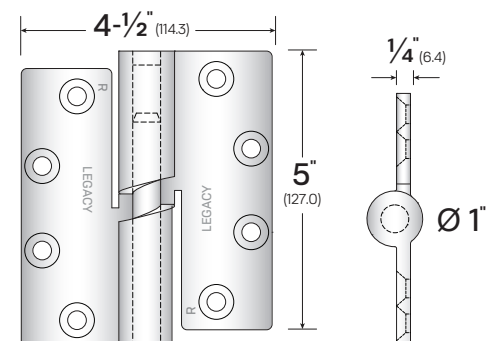
- **Example Order:** #1059SS-LH
- **Door Rating** (1-1/2 pairs): Up to 500 lbs.
- **Screw Size** (Metal Doors): 12-24 x 3/4"
- **Lift** (180° opening): 5/16"
- Includes all machine screws (24), and 1/2 wood screws (12)
- All hinges are ANSI template

LEGACY	NGP	PEMKO	ZERO
<b>1059</b>	-	-	Z950



LEGACY HINGES

**#10059**  



**FINISHES:**

**SS** - Stainless Steel

**OPTIONS:**

**RH** - Right-Handed **LH** - Left-Handed

**NOTES:**

- **Example Order:** #10059SS-LH
- **Door Rating** (1-1/2 pairs): Up to 900 lbs.
- **Screw Size** (Metal Doors): 5/16"-18 x 3/4"
- **Lift** (180° opening): 5/16"
- Includes all machine screws (24), and 1/2 wood screws (12)
- All hinges are ANSI template

LEGACY	NGP	PEMKO	ZERO
<b>10059</b>	-	-	Z9500