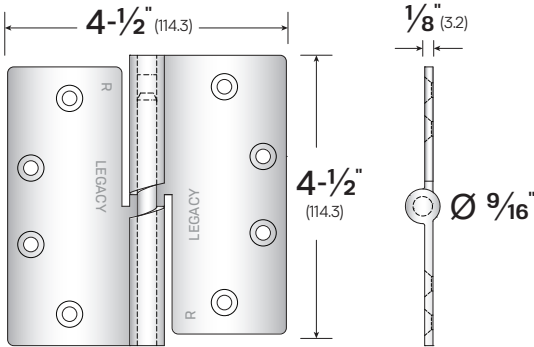


#1559  



FINISHES:

SS - Stainless Steel **MB** - Matte Black Powder Coat

OPTIONS:

RH - Right-Handed **LH** - Left-Handed

NOTES:

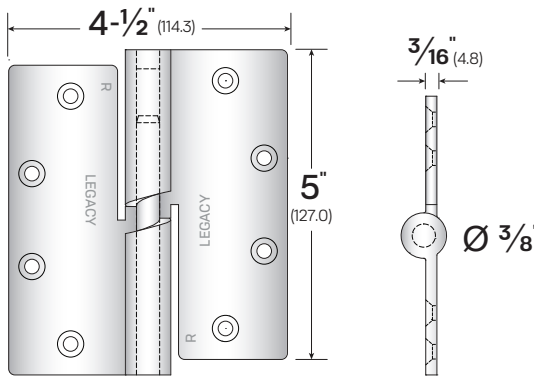
- **Example Order:** #1559SS-RH
- **Door Rating** (1-1/2 pairs): Up to 200 lbs.
- **Screw Size** (Metal Doors): 12-24 x 3/4"
- **Lift** (180° opening): 3/16"
- Includes all machine screws (24), and 1/2 wood screws (12)
- All hinges are ANSI template

LEGACY	NGP	PEMKO	ZERO
1559	-	-	Z955



Designed for sound-rated and other heavy doors up to 900 pounds. Manufactured from high precision stainless steel casting, the cam lift hinge provides a smooth 1/2 inch drop over a rotation of 180 degrees for superior sealing performance. Available for right or left-hand swinging doors. Sold in pairs. Please refer to each individual part for rating details.

#1359  



FINISHES:

SS - Stainless Steel **MB** - Matte Black Powder Coat

OPTIONS:

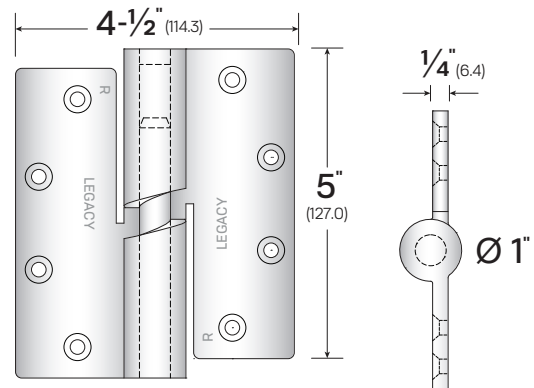
RH - Right-Handed **LH** - Left-Handed

NOTES:

- **Example Order:** #1359MB-RH
- **Door Rating** (1-1/2 pairs): Up to 300 lbs.
- **Screw Size** (Metal Doors): 12-24 x 3/4"
- **Lift** (180° opening): 1/4"
- Includes all machine screws (24), and 1/2 wood screws (12)
- All hinges are ANSI template

LEGACY	NGP	PEMKO	ZERO
1359	-	-	Z953

#1059  



FINISHES:

SS - Stainless Steel **MB** - Matte Black Powder Coat

OPTIONS:

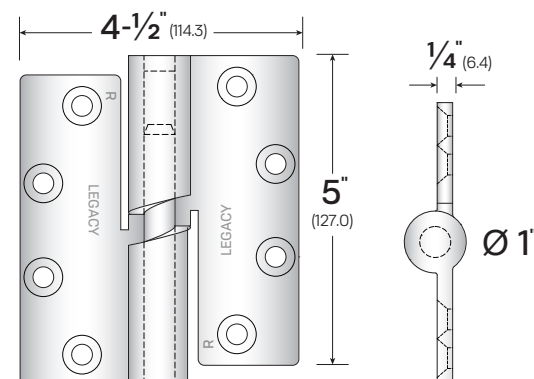
RH - Right-Handed **LH** - Left-Handed

NOTES:

- **Example Order:** #1059SS-LH
- **Door Rating** (1-1/2 pairs): Up to 500 lbs.
- **Screw Size** (Metal Doors): 12-24 x 3/4"
- **Lift** (180° opening): 5/16"
- Includes all machine screws (24), and 1/2 wood screws (12)
- All hinges are ANSI template

LEGACY	NGP	PEMKO	ZERO
1059	-	-	Z950

#10059  



FINISHES:

SS - Stainless Steel **MB** - Matte Black Powder Coat

OPTIONS:

RH - Right-Handed **LH** - Left-Handed

NOTES:

- **Example Order:** #10059SS-LH
- **Door Rating** (1-1/2 pairs): Up to 900 lbs.
- **Screw Size** (Metal Doors): 5/16"-18 x 3/4"
- **Lift** (180° opening): 5/16"
- Includes all machine screws (24), and 1/2 wood screws (12)
- All hinges are ANSI template

LEGACY	NGP	PEMKO	ZERO
10059	-	-	Z9500

Specialty Hinges