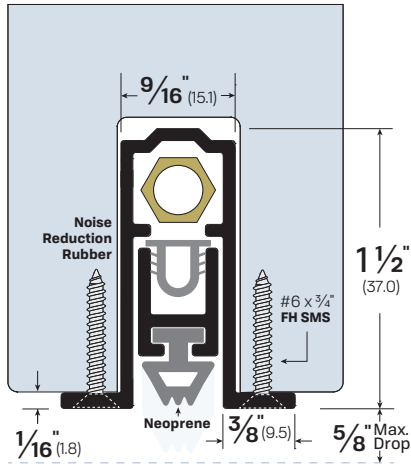


#7023



Mortised

FINISHES: CA

AVAILABLE SIZES: Can be manufactured to any length from 12" to 144"

OPTIONS:

- | | | |
|---------------------------------|--------------------------|-----------------------------------|
| AIR - Air Flow | LS - Light Spring | SF - Security Fasteners |
| FL - Fire Label | PULL - Pull | SL - Sliding Doors |
| EA - Electrical Actuator | PV - Pivot Doors | TD - Top Door Installation |

NOTES:

- Adjusting the brass nut changes pressure on concealed internal spring to satisfy field conditions.
- Self-leveling door seal up to maximum 5/8" drop.
- Replacement neoprene - Part #4023N
- Unit supplied with 1 pair of end caps - Part #4063EC-CA or #4063EC-MB

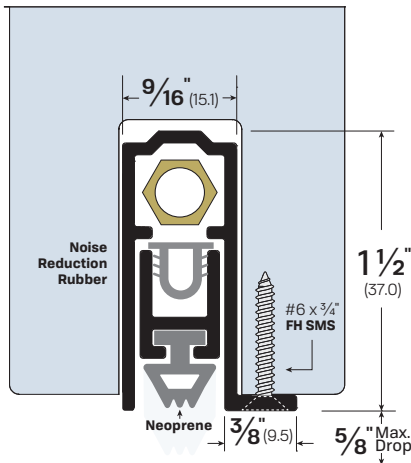
LEGACY	NGP	PEMKO	ZERO
7023	335N	411ARL	320AA



#7023CA



#7323



Mortised

FINISHES: CA

AVAILABLE SIZES: Can be manufactured to any length from 12" to 144"

OPTIONS:

- | | | |
|---------------------------------|--------------------------|-----------------------------------|
| AIR - Air Flow | LS - Light Spring | SF - Security Fasteners |
| EA - Electrical Actuator | PULL - Pull | SL - Sliding Doors |
| FL - Fire Label | PV - Pivot Doors | TD - Top Door Installation |

NOTES:

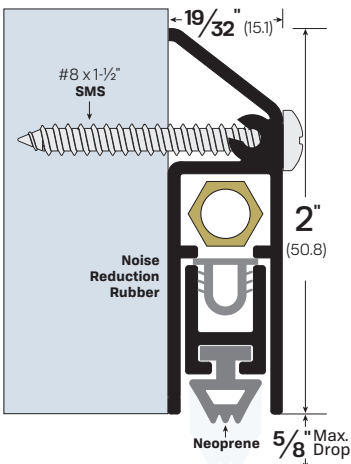
- For doors smaller than 1-3/4"
- Adjusting the brass nut changes pressure on concealed internal spring to satisfy field conditions.
- Self-leveling door seal up to maximum 5/8" drop.
- Unit is handed and can be reversed upon request.
- Replacement neoprene - Part #4023N
- Unit supplied with 1 pair of end caps - Part #4063EC-CA or #4063EC-MB

LEGACY	NGP	PEMKO	ZERO
7323	-	-	323AA



#7323CA

#7123



Surface-Mounted

FINISHES: CA, DB, MB, WP

AVAILABLE SIZES: Can be manufactured to any length from 12" to 144"

OPTIONS:

- | | | |
|---------------------------------|--------------------------|--------------------------------|
| AIR - Air Flow | LS - Light Spring | SF - Security Fasteners |
| EA - Electrical Actuator | PULL - Pull | SL - Sliding Doors |
| FL - Fire Label | PV - Pivot Doors | |

NOTES:

- Adjusting the brass nut changes pressure on concealed internal spring to satisfy field conditions.
- Self-leveling door seal up to maximum 5/8" drop.
- Unit is handed and can be reversed upon request.
- Replacement neoprene - Part #4023N
- No end caps provided

LEGACY	NGP	PEMKO	ZERO
7123	220N	412ARL	321AA



#7123CA