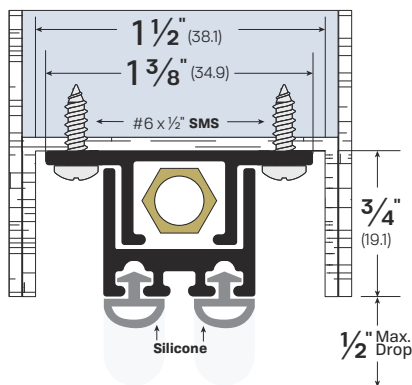


**#7553**



**Mortised**

**FINISHES: MA**

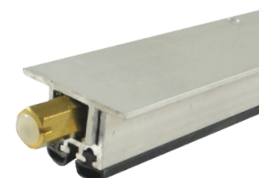
**AVAILABLE SIZES:** Can be manufactured to any length from 12" to 144"

**OPTIONS:**

- AIR** - Air Flow
- EA** - Electrical Actuator
- FL** - Fire Label
- LIG** - Ligature Resistant
- LS** - Light Spring
- PV** - Pivot Doors
- SF** - Security Fasteners
- SL** - Sliding Doors
- TD** - Top Door Installation

**NOTES:**

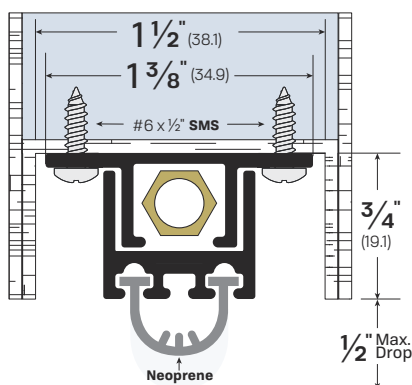
- For use on 1-3/4" and larger Hollow Metal doors
- Adjusting the brass nut changes pressure on concealed internal spring to satisfy field conditions.
- Self-leveling door seal up to maximum 1/2" drop.
- Replacement neoprene - Part #4075N
- No end caps provided



#7553CA

LEGACY	NGP	PEMKO	ZERO
<b>7553</b>	320N	420APK	355A

**#71553**



**Mortised**

**FINISHES: MA**

**AVAILABLE SIZES:** Can be manufactured to any length from 12" to 144"

**OPTIONS:**

- EA** - Electrical Actuator
- FL** - Fire Label
- LS** - Light Spring
- PV** - Pivot Doors
- SF** - Security Fasteners
- SL** - Sliding Doors
- TD** - Top Door Installation

**NOTES:**

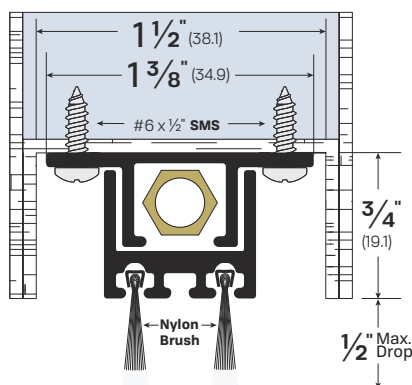
- For use on 1 3/4" and larger Hollow Metal doors
- Adjusting the brass nut changes pressure on concealed internal spring to satisfy field conditions.
- Self-leveling door seal up to maximum 1/2" drop.
- Replacement neoprene - Part #434N
- No end caps provided



#71553CA

LEGACY	NGP	PEMKO	ZERO
<b>71553</b>	-	-	3551A

**#72553**



**Mortised**

**FINISHES: MA**

**AVAILABLE SIZES:** Can be manufactured to any length from 12" to 144"

**OPTIONS:**

- AIR** - Air Flow
- EA** - Electrical Actuator
- LS** - Light Spring
- LIG** - Ligature Resistant
- PV** - Pivot Doors
- SF** - Security Fasteners
- SL** - Sliding Doors
- TD** - Top Door Installation

**NOTES:**

- For use on 1-3/4" and larger Hollow Metal doors
- Adjusting the brass nut changes pressure on concealed internal spring to satisfy field conditions.
- Self-leveling door seal up to maximum 1/2" drop.
- Replacement Nylon Brush - Part #4075NB
- No end caps provided



#72553CA

LEGACY	NGP	PEMKO	ZERO
<b>72553</b>	-	-	3552A