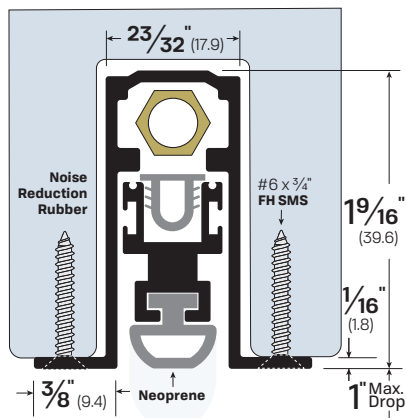


**#7053**



**Mortised**

**FINISHES: CA**

**AVAILABLE SIZES:** Can be manufactured to any length from 12" to 144"

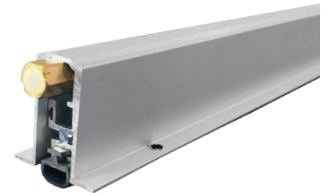
**OPTIONS:**

- AIR** - Air Flow
- EA** - Electrical Actuator
- LL** - Lead Lined
- LS** - Light Spring
- PULL** - Pull
- PV** - Pivot Doors
- SF** - Security Fasteners
- SL** - Sliding Doors
- TD** - Top Door Installation

**NOTES:**

- Adjusting the brass nut changes pressure on concealed internal spring to satisfy field conditions.
- Self-leveling door seal up to maximum 1" drop.
- Replacement neoprene - Part #4053N or optional Part #4441N
- Unit supplied with 1 pair of end caps - Part #4063EC-CA or #4063EC-MB

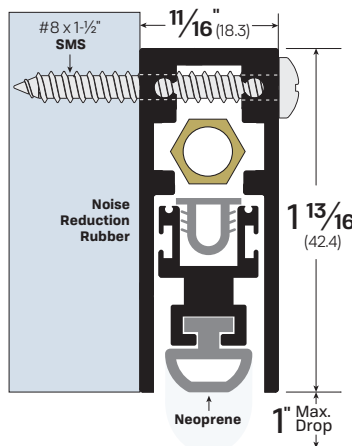
LEGACY	NGP	PEMKO	ZERO
<b>7053</b>	225N	434APKL	350AA



#7053CA



**#7153**



**Surface-Mounted**

**FINISHES: CA, DB, MB, WP**

**AVAILABLE SIZES:** Can be manufactured to any length from 12" to 144"

**OPTIONS:**

- AIR** - Air Flow
- EA** - Electrical Actuator
- FL** - Fire Label
- LL** - Lead Lined
- LS** - Light Spring
- PULL** - Pull
- PV** - Pivot Doors
- SF** - Security Fasteners
- SL** - Sliding Doors

**NOTES:**

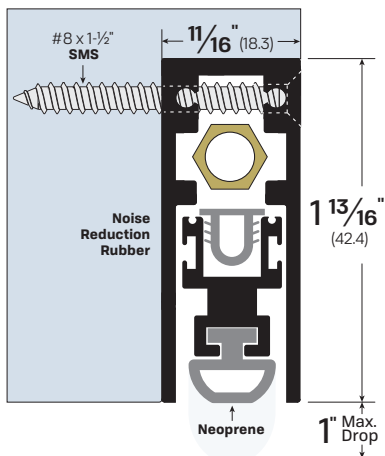
- Adjusting the brass nut changes pressure on concealed internal spring to satisfy field conditions.
- Self-leveling door seal up to maximum 1" drop.
- Replacement neoprene - Part #4053N or optional Part #4441N
- Unit supplied with 1 pair of end caps - Part #4153EC-CA or #4153EC-MB

LEGACY	NGP	PEMKO	ZERO
<b>7153</b>	222N	413IASL	351AA



#7153CA

**#7253**



**Semi-Mortised**

**FINISHES: CA, DB, MB, WP**

**AVAILABLE SIZES:** Can be manufactured to any length from 12" to 144"

**OPTIONS:**

- AIR** - Air Flow
- FL** - Fire Label
- LL** - Lead Lined
- LS** - Light Spring
- SF** - Security Fasteners
- PULL** - Pull
- PV** - Pivot Doors
- EA** - Electrical Actuator
- SL** - Sliding Doors
- TD** - Top Door Installation

**NOTES:**

- Adjusting the brass nut changes pressure on concealed internal spring to satisfy field conditions.
- Self-leveling door seal up to maximum 1" drop.
- Replacement neoprene - Part #4053N or optional Part #4441N
- Unit supplied with 1 pair of end caps - Part #4153EC-CA or #4153EC-MB

LEGACY	NGP	PEMKO	ZERO
<b>7253</b>	222N	413IASL	352AA



#7253CA