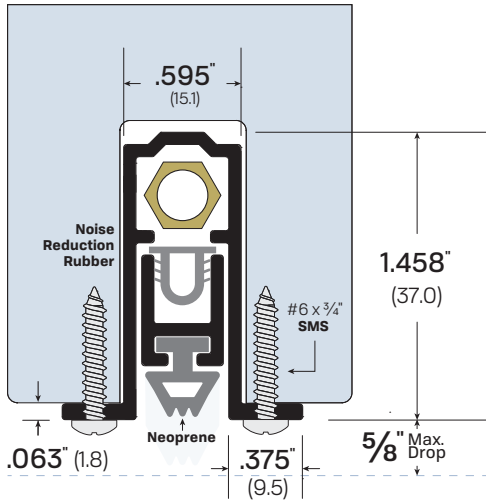


Automatic Door Bottoms

#7023



Mortised

FINISHES: CA

AVAILABLE SIZES: Can be manufactured to any length from 12" to 144"

OPTIONS:

- AIR** - Air Flow
- FL** - Fire Label
- EA** - Electrical Actuator
- LS** - Light Spring
- PULL** - Pull Out
- PV** - Pivot Doors
- SF** - Security Fasteners
- SL** - Sliding Doors
- TD** - Top Door Installation

NOTES:

- Adjusting the brass nut changes pressure on concealed internal spring to satisfy field conditions.
- Self-leveling door seal up to maximum 5/8" drop.
- Replacement neoprene - Part #4023N
- Unit supplied with 1 pair of end caps - Part #4063EC-CA or #4063EC-MB

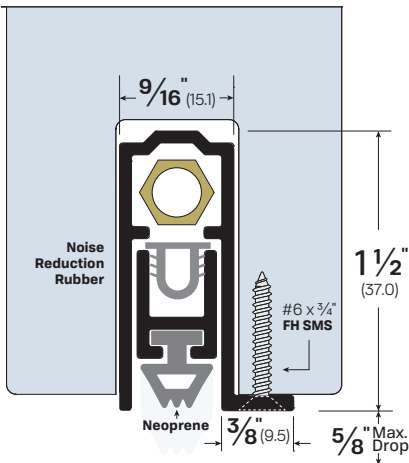
LEGACY	NGP	PEMKO	ZERO
7023	335N	411ARL	320AA



#7023CA



#7323



Mortised

FINISHES: CA

AVAILABLE SIZES: Can be manufactured to any length from 12" to 144"

OPTIONS:

- AIR** - Air Flow
- EA** - Electrical Actuator
- FL** - Fire Label
- LS** - Light Spring
- PULL** - Pull Out
- PV** - Pivot Doors
- SF** - Security Fasteners
- SL** - Sliding Doors
- TD** - Top Door Installation

NOTES:

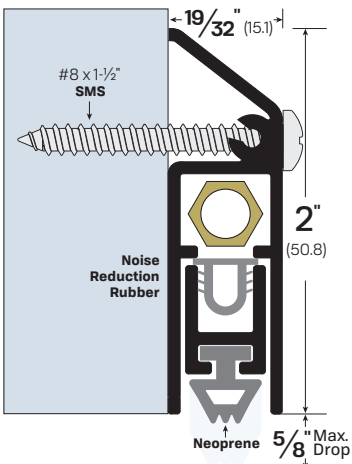
- For doors smaller than 1-3/4"
- Adjusting the brass nut changes pressure on concealed internal spring to satisfy field conditions.
- Self-leveling door seal up to maximum 5/8" drop.
- Unit is handed and can be reversed upon request.
- Replacement neoprene - Part #4023N
- Unit supplied with 1 pair of end caps - Part #4063EC-CA or #4063EC-MB

LEGACY	NGP	PEMKO	ZERO
7323	-	-	323AA



#7323CA

#7123



Surface-Mounted

FINISHES: CA, BK, WP

AVAILABLE SIZES: Can be manufactured to any length from 12" to 144"

OPTIONS:

- AIR** - Air Flow
- EA** - Electrical Actuator
- FL** - Fire Label
- LS** - Light Spring
- PULL** - Pull Out
- PV** - Pivot Doors
- SF** - Security Fasteners
- SL** - Sliding Doors

NOTES:

- Adjusting the brass nut changes pressure on concealed internal spring to satisfy field conditions.
- Self-leveling door seal up to maximum 5/8" drop.
- Unit is handed and can be reversed upon request.
- Replacement neoprene - Part #4023N
- No end caps provided

LEGACY	NGP	PEMKO	ZERO
7123	220N	412ARL	321AA



#7123CA