



EPT Cut Sheet

REQUESTED BY: _____

DATE: _____

COMPANY NAME: _____

YOUR P.O. #: _____

JOB #: _____

Door Handing (Please check to indicate):

LEFT HANDED DOOR

RIGHT HANDED DOOR

EPT Cut-out type (Please check to indicate):

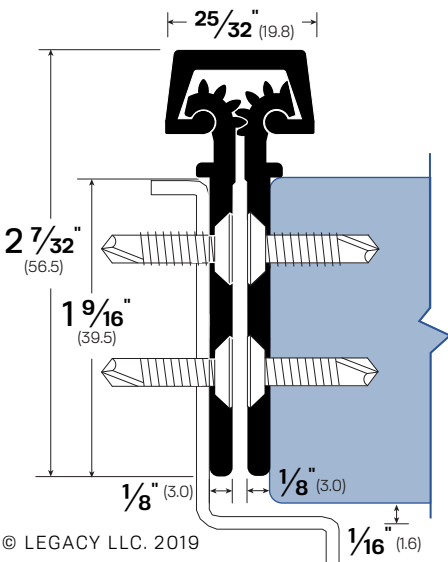
STANDARD

NON-STANDARD

Custom Dimensions

(Please fill in length (inches) based on chart):

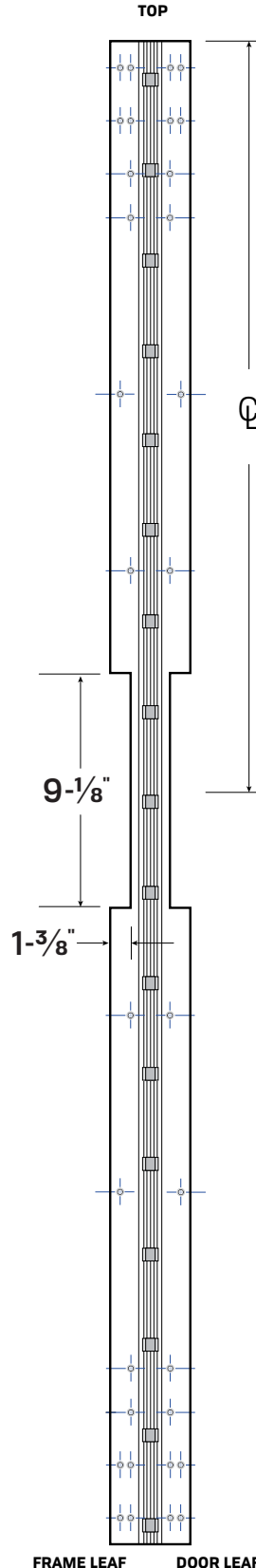
A	
For 7'-0" hinge, cutout located at 41-9/16" from top of hinge to centerline of cut-out length. For 8'-0" hinge, cutout located at 47-9/16" from top of hinge to centerline of cut-out length	
B	
C	



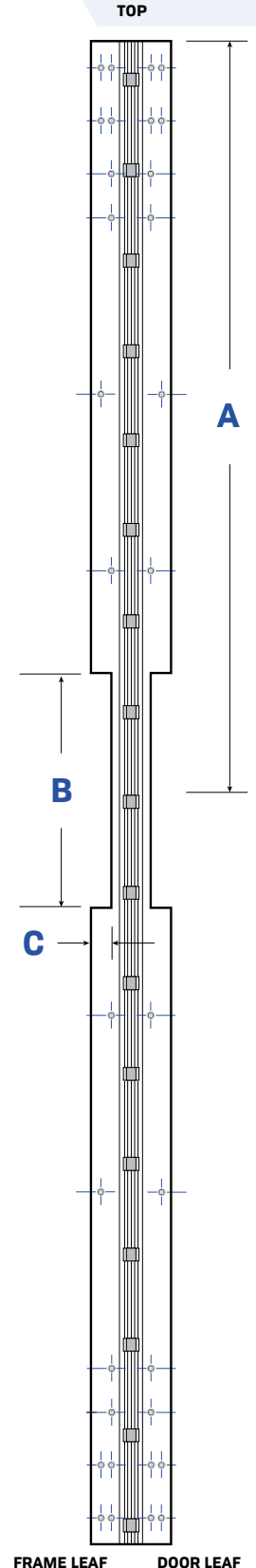
.312 square edge minimum clearance.

.375 beveled edge minimum clearance.

Factory Standard



Custom Order



FRAME LEAF DOOR LEAF

FRAME LEAF DOOR LEAF

