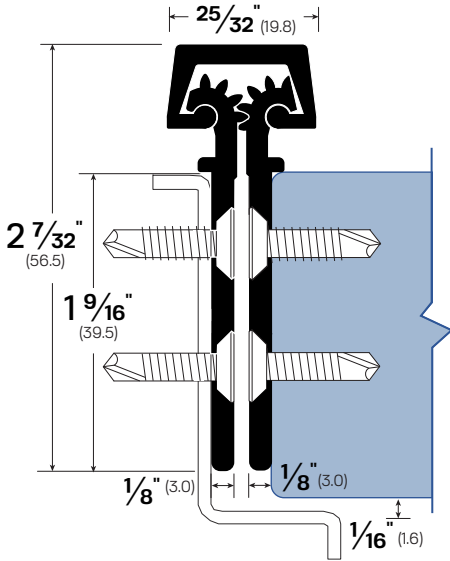




Door Clearance Chart/ Template



VERTICAL DISTANCE BETWEEN HOLES

	Inches
A	2 1/8"
B	4 1/4"
C	5 1/8"
D	10"
E	5"

.312 square edge minimum clearance.
.375 beveled edge minimum clearance.

TOTAL DOOR UNDERSIZING

Reinforcement recommended for four hole pattern at top and bottom of each leaf of hinge.

- Single Square Edge Door - 15/32"
- Single Bevel Edge Door - 1/2"
- Pair of Doors, each leaf, Square Edge Door - 7/16"
- Pair of Doors, each leaf, Bevel Edge Door - 15/32"

HOLE PREPARATION (36 LOCATIONS)

Hole Details:

Diameter is 1/4"
 Size #12

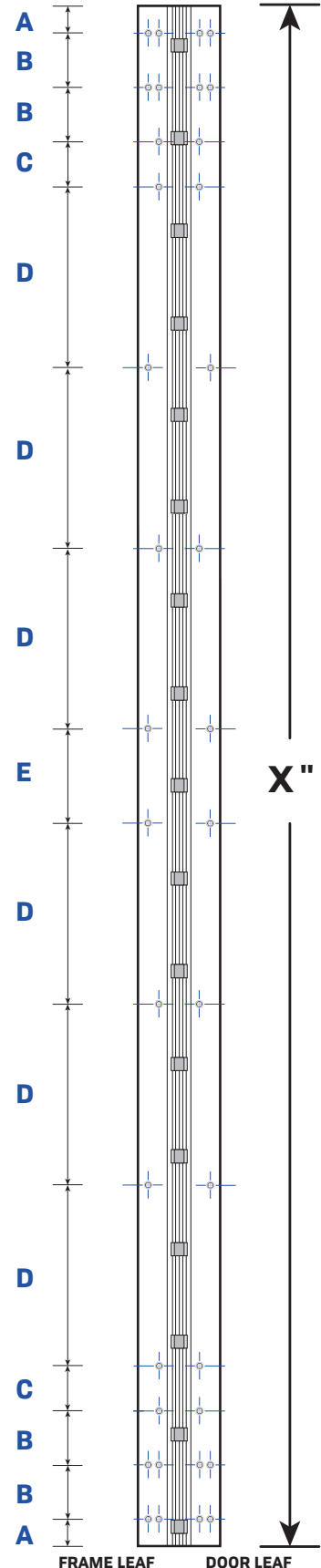
Metal frame:

Standard self drilling self tapping screws - No drilling required

OPTIONAL thread forming screws - #13 or 3/16" drill

Wood frame:

5/32" drill, 1.5" deep



FRAME LEAF DOOR LEAF